



Project Name:
 Part Number:
 Fixture Type
 Notes:

TSPL1 LED Selectable Strip Linear Light

APPLICATIONS

The TSPL1 strip linear fixture series provides aesthetic and performance choices, integrated controls options and innovative mounting accessories ideal for commercial, retail, manufacturing, warehouse, cove and display applications. When paired with occupancy sensors, dimming and intuitive controls, you save energy and extend the life of the fixtures. TSPL1 includes a total of seven power level adjustment options ranging from 20 to 68W; CCT supports three adjustable color temperatures of 3500K, 4000K and 5000K.



UL Listing

Suitable for Damp locations

Replacement

1 Lamp T8 32W, 2 Lamp T8 32W
 3 Lamp T8 32W, 4 Lamp T8 32W
 2 Lamp T5HO 54W



ORDERING INFORMATION



EXAMPLE: **TSPL1 4FT 36W LCS UNV**

Series	Size	Wattage Selectable	CCT Selectable	Finish	Voltage	Options
TSPL1	4FT 4 feet	20W-3100 lm 24W-3600 lm 30W-4400 lm 36W-5200 lm	LCS 35K 3500K 4K 4000K 5K 5000K	BLANK White	UNV 120-277V	VH (Default) V - Hooks MP (Default) Surface mounting plate MPS PIR motion sensor MMS Microwave motion sensor EB8 8W Emergency Battery ACC Aircraft cable JB Joiner
	8FT 8 feet	44W-7150 lm 58W-9200 lm 68W-10600 lm				

Accessories

VH V-Hooks (Default)	MP Surface mounting plate (Default)	MPS BRI819 PIR sensor (Sold separately)	MMS HD027 microwave sensor (Sold separately)	EB8 8W 900 lm 90 mm (Sold separately)
ACC Aircraft cable (Sold separately)	JB Joiner Bracket (Sold separately)			

Houston, Texas

Sales@orelighting.com

346-874-7955

www.orelighting.com

Note: Information contained herein is subject to change without notice.

©2024 ORE Lighting INC. All rights reserved



SPECIFICATIONS

CONSTRUCTION

Standard with 4ft, 8ft aluminum body and can be extended by row connector and occlusion block

ELECTRICAL

Standard 50/60Hz operation with 120/277V input
0-10V dimming standard for a dimming range of 100% to 10%.

OPTICS

Features a low-glare diffuser lens is designed to shape the light uniformity and comfortable light

CCT SELECTABLE

Switch selectable
3500K / 4000K / 5000K

LUMENS SELECTABLE

Selectable lumen packages ranging from 2,850 to 10,600 lm

EFFICACY

Up to 163 lumens per watt.

INSTALLATION

V-hook and Surface plate included
Aircraft cable and joiner sold separately

LIFESPAN

Estimated 50,000-hour LED lifespan based on IES LM-80 results and TM-21 calculations

AMBINET TEMPERATURE

Suitable for use in -13°F to 104°F (-25°C to 40°C)

FINISH

White Polyester Powder coat with 88% reflectivity, painted after fabrication.

CERTIFICATIONS

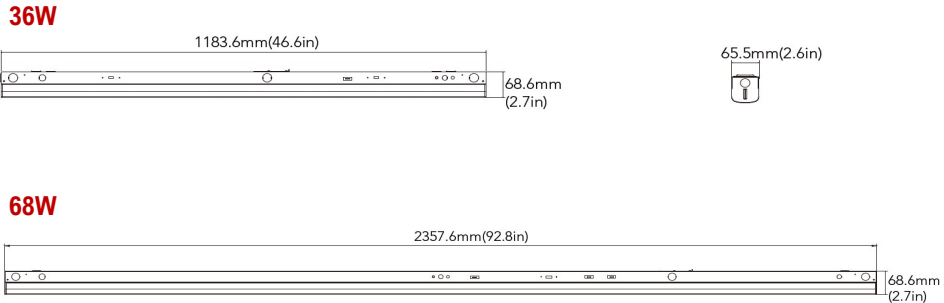
UL damp location listed

WARRANTY

5 year limited warranty. Comprehensive warranty terms can be located on www.orelighting.com

DIMENSIONS

unit: mm / inch



Product	L	W	H
TSPL1 4FT	46.6"	2.6"	2.7"
TSPL1 8FT	92.8"	2.6"	2.7"

Weight	
TSPL1 4FT	4.39 lbs
TSPL1 8FT	9.06 lbs

PERFORMANCE DATA

PART NUMBER	WATTAGE	EFFICACY	VOLTAGE	3500K	4000K	5000K
				LUMENS		
TSPL1 4FT	20W	155 lm/w	120-277V	2850 lm / 3100 lm / 2950 lm		
	24W	150 lm/w		3350 lm / 3600 lm / 3470 lm		
	30W	147 lm/w		4150 lm / 4400 lm / 4250 lm		
	36W	144 lm/w		4903 lm / 5200 lm / 5000 lm		
TSPL1 8FT	44W	163 lm/w		6300 lm / 7150 lm / 6800 lm		
	58W	159 lm/w		8150 lm / 9200 lm / 8800 lm		
	68W	156 lm/w		9350 lm / 10600 lm / 10100 lm		

ELECTRICAL LOAD

WATTAGE	Current (A)			
	120V	208V	240V	277V
15W	0.13	0.07	0.06	0.05
20W	0.17	0.10	0.08	0.07
25W	0.21	0.12	0.10	0.09
30W	0.25	0.14	0.13	0.11
40W	0.33	0.19	0.17	0.14
55W	0.46	0.26	0.23	0.20
60W	0.50	0.29	0.25	0.22
65W	0.54	0.31	0.27	0.23

Emergency Battery

8W 900 lm 90min emergency backup battery

Side 1/2" Knockouts

Available for PIR or Microwave motion sensor



Frosted diffuser

Distribute general photometry
Uniformly dispersing the light



Selectable CCT and Wattages

36W supports 4 positions wattage regulation
68W supports 3 positions wattage regulation
offer three CCT selectable 3500K, 4000K, 5000K