

# ORE LIGHTING

## GMR1 Series Sports Light

### APPLICATIONS

GMR1 series LED Sports Light was built to meet the variable needs of new and retrofit applications at professional and collegiate level outdoor stadiums. Dynamic thermal management design maximizes heat dissipation and significantly improves the life of luminaires. Unlike competitor products, the GMR Sports Light requires less power and produces greater lumen output while generating less heat to extend the life of the fixture. Built-in surge suppression adds an extra layer of protection to the luminaire driver. Versatile mounting bracket for hassle-free installation. Significantly improve the lighting performance when replacing traditional HID with ORE GMR Sports Light.



GMR1 505W & 600W



GMR1 850W

### UL Listing

Suitable for wet locations



### ORDERING INFORMATION

EXAMPLE: GMR1 505 N4 50K BK UNV TB

Series	Watts	Distribution	CCT	Finish	Voltage	Mounting	Options
GMR1	505 - 505W	N3 = Nema 3 N4 = Nema 4	40K - 4000K 50K - 5000K 57K - 5700K	BK Black	UNV	TB Trunnion Mount (Default) TAP Tenon Adaptor for transform trunnion mount to a 2 3/8" tenon SBM Square beam mounting bracket to cross arm without drilling on the arm	LAS - Laser Aiming Guide BTV - Black Top Visor IWC - Synapse Wireless Lighting Control
	600 - 600W				480V		
	850 - 850W				277-480V		
					U6* 200-480V		

\*200 - 480V only for 505W and 600W

### Mounting Accessories



Tenon Adaptor



Plate



Square Beam Mounting Bracket

### Accessories



Laser Aiming Guide



Black top visor



Synapse Wireless Control

# ORE LIGHTING

## SPECIFICATIONS

### HOUSING

Solid-state die-cast aluminum housing with heat-dissipating fins. Housing is completely sealed against moisture and environmental contaminants. Provides maintenance-free operation for more than 10 years

### ELECTRICAL

Standard 120-277V / 200-480V / 277-480V / 347 - 480V input voltage  
0 - 10V dimming available.

### SURGE PROTECTION

Built in surge protector 10KV / 20KV

### AMBIENT TEMPERATURE

Suitable for use in -40°F to 131°F (-40°C to 55°C)

### LIFESPAN

100,000 – hour LED lifespan based on IES LM-80 result and TM-21 calculations.

### CCT & CRI

CCT available 4000K, 5000K and 5700K; CRI > 70+

### LUMENS

Lumen package from 70,000 - 118,000 LM

### EFFICACY

Up to 135 lumens per watt

### EPA RATE

Small Size = 1.9  
Large Size = 2.6

### MOUNTING

Trunnion mounts and optional brackets accommodate a variety of mounting methods.

### FINISH

Polyester Powder finish for superior corrosion resistance and maximum durability.

### OPTICS

Available in NEMA 3Hx3V and 4Hx4V distributions. Custom-engineered optics direct light precisely while reducing glare. Maximizing efficiency and application spacing.

### IP RATING

Ingress Protection rating of IP65 for dust and water

### GREEN TECHNOLOGY

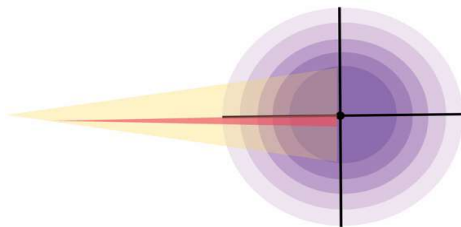
Mercury and UV-free. Polyester powder coat finish formulated without the use of VOCs or toxic heavy metals

### WARRANTY

10 year limited warranty. Comprehensive warranty terms can be located on [www.orelighting.com](http://www.orelighting.com)

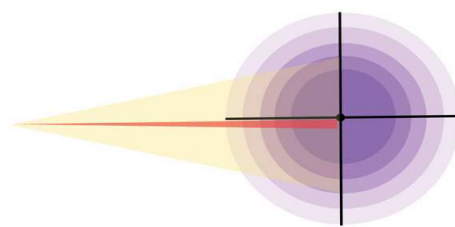
## PHOTOMETRICS

### NEMA 3 - 3H x 3V



The NEMA 3 is engineered to precisely control the light beam, ensuring efficient light distribution and minimizing light spillage. This results in uniform illumination and reduces glare and shadows on the playing field.

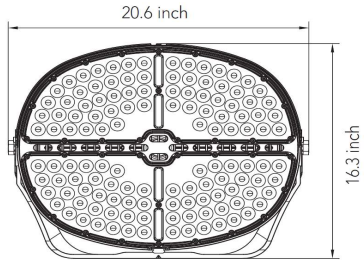
### NEMA 4 - 4H x 4V



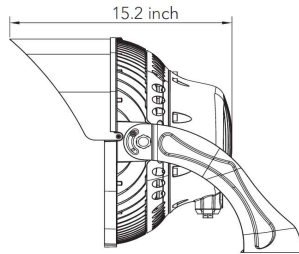
The NEMA 4 is a middle-range optic for spotlights and is suitable for sports lighting projects. It has a larger spread than the previous light; however, it doesn't push the light quite as far and has a more even spread when put on a surface.

# ORE LIGHTING

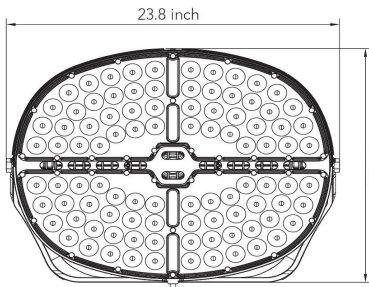
## DIMENSIONS



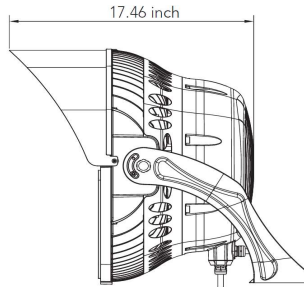
**GMR1 505W & 600W**



**Small Size**  
**WEIGHT: 39 lbs**  
**EPA: 1.9**

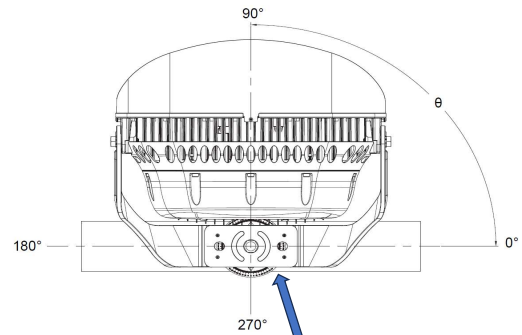


**GMR1 850W**



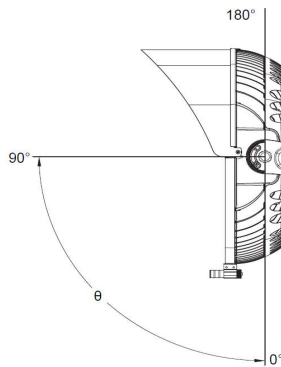
**Large Size**  
**WEIGHT: 64 lbs**  
**EPA: 2.6**

## ADJUSTING TILT

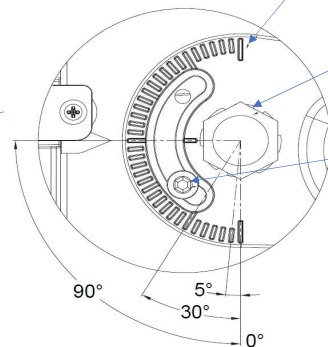


**Horizontal aiming protractor**

## ADJUSTING TILT



**Vertical aiming protractor**



M16\*50 - SS Hex Bolt

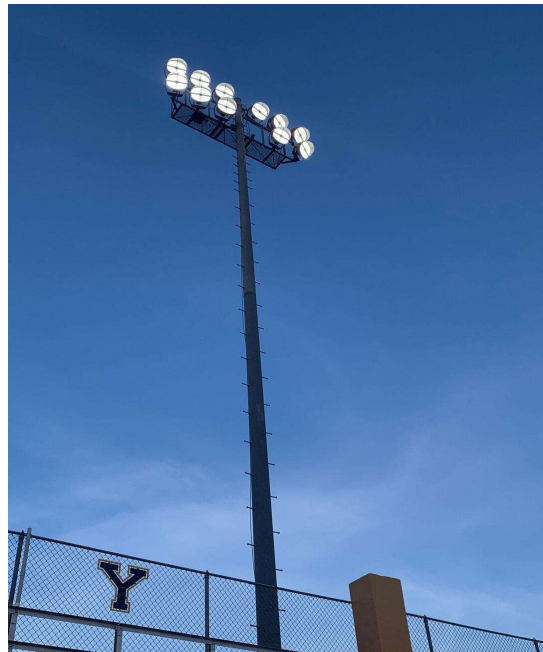
CM6\*15 - SS Set Screw

One grid represents 5 degrees, one grid rotation and the fixture rotates at an angle of 5 degrees

# ORE LIGHTING



**TAP** tenon adaptor for transforming trunnion mount to a 2 3/8" tenon



Houston, Texas | [Sales@orelighting.com](mailto:Sales@orelighting.com) | 346-874-7955 | [www.orelighting.com](http://www.orelighting.com)

Note: Information contained herein is subject to change without notice.

©2024 ORE Lighting INC. All rights reserved

# ORE LIGHTING

## PERFORMANCE DATA

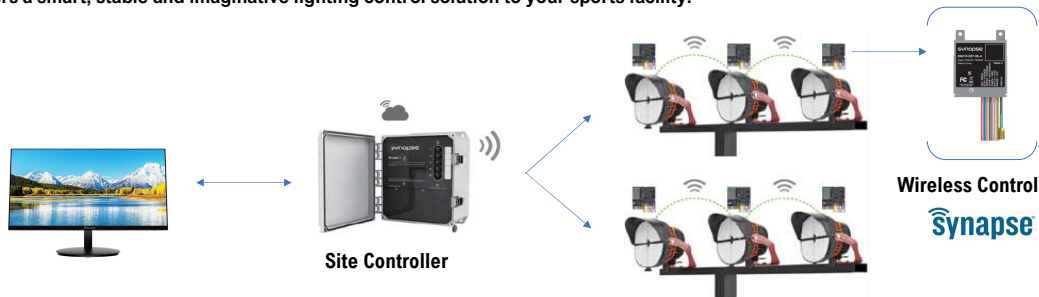
PART NUMBER	WATTAGE	NEMA	VOLTAGE	4000K		5000K		5700K	
				LUMENS	LPW	LUMENS	LPS	LUMENS	LPW
GMR1	505W	3Hx3V	120-277V	70,003	139 lm/W	70,003	139 lm/W	70,000	139 lm/W
		4Hx4V	347-480V	70,024	139 lm/W	70,024	139 lm/W	70,029	139 lm/W
		4Hx4V	200-480V	70,017	139 lm/W	70,017	139 lm/W	70,023	139 lm/W
GMR1	600W	3Hx3V	120-277V	82,004	140 lm/W	82,004	140 lm/W	81,995	139 lm/W
		4Hx4V	347-480V	82,011	140 lm/W	82,011	140 lm/W	82,000	139 lm/W
		4Hx4V	200-480V	82,002	140 lm/W	82,002	140 lm/W	82,008	139 lm/W
GMR1	850W	3Hx3V	120-277V	118,000	139 lm/W	118,000	139 lm/W	117,992	139 lm/W
		4Hx4V	277-480V	113,620	135 lm/W	113,620	135 lm/W	113,607	134 lm/W

## ELECTRICAL LOAD

WATTAGE	Current (A)					
	120V	208V	240V	277V	347V	480V
505W	4.89	2.76	2.41	2.07	1.62	1.18
600W	5.00	2.88	2.50	2.16	1.73	1.25
850W	N/A	N/A	3.54	3.07	2.44	1.77

## INTEGRATED CONTROLS

The fixture is compatible with Synapse™ wireless control system, including RGB sports lighting. It offers a smart, stable and imaginative lighting control solution to your sports facility.



# ORE | SPORTS LIGHTING

Houston, Texas | Sales@orelighting.com | 346-874-7955 | www.orelighting.com

Note: Information contained herein is subject to change without notice.

©2024 ORE Lighting INC. All rights reserved