

## GMR1 Sports Light

### WARNING

#### PLEASE READ ALL INSTRUCTIONS BEFORE ATTEMPTING INSTALLATION

- All electrical work must conform to the National Electric Code (NEC) and all applicable local codes and ordinances.
- Only qualified personnel shall install and maintain the luminaires. It is recommended that a licensed electrician install and maintain the luminaire. Verify the safety of existing power distribution system before beginning installation. Failure to follow Operating Instructions may lead to death, Severe Injury, or Property Damage.
- Fixtures must be grounded and installed in accordance with the National Electrical Code and all local codes. If you are not sure if your power system is grounded, DO NOT install the luminaire. Contact a licensed electrician for information on proper grounding methods as required by the electrical code. FAILURE TO FOLLOW THIS WARNING MAY LEAD TO DEATH, SEVERE INJURY, OR PROPERTY DAMAGE.
- Turn off power and allow to cool before performing any electrical or control work. FAILURE TO FOLLOW THIS WARNING MAY LEAD TO DEATH, SEVERE INJURY, OR PROPERTY DAMAGE.
- DO NOT make or alter any open holes in the luminaire. Do not modify the luminaire.
- Risk of eye injury! Eye protection is required at all times during the installation, operation, and maintenance of the luminaire. The high intensity light produced by the luminaire can cause severe damage to the eye if viewed directly at close range. Avoid being in front of a luminaire that is on or wear suitable light blocking protective eyewear such as welding goggles. The luminaire should be positioned so that prolonged staring into the luminaire at a distance closer than 10m is not expected.
- NEVER point the aiming laser at any person or animal as it can cause permanent damage to eyes. Use laser only for aiming fixtures as directed.
- CAUTION - RISK OF FIRE.
- This product is not available for several special environments, such as places with corrosive gas liquids or high pressure water vapor.
- This luminaire is designed to operate in ambient temperatures ranging from -40°C to 55°C (-40°F to 131°F).

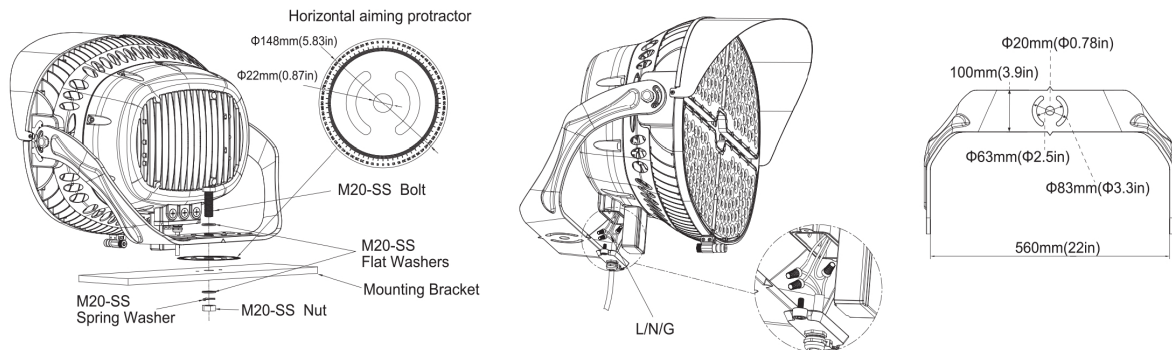
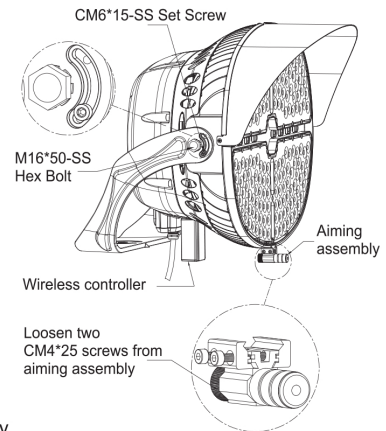
#### CAUTION WHEN USING THE LASER AIMING ASSEMBLY



Never look directly into the laser beam.

### Installation Guide 1 (Default)

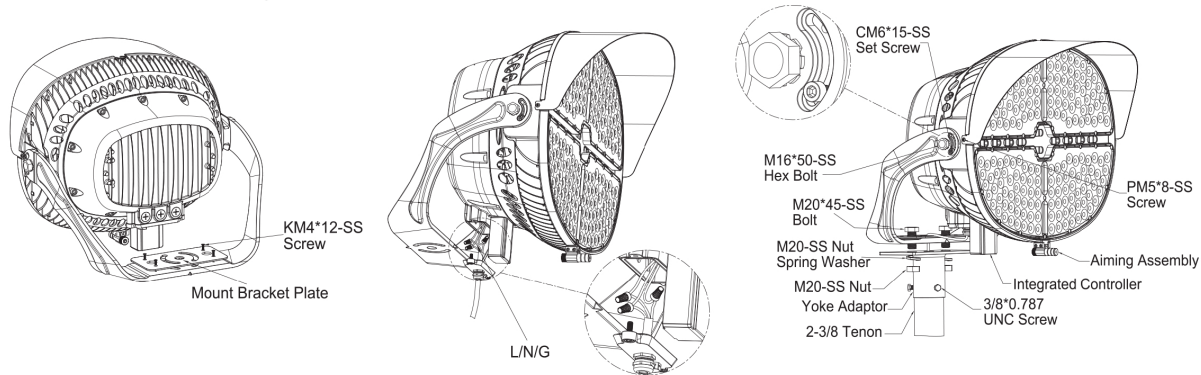
- Align the center hole of the horizontal aiming protractor and the mounting bracket and attach the horizontal aiming protractor to the bracket.
- Secure visor on fixture with three PM5\*8-SS screws (30-45 in-lbf (3.5 to 5 N-m)).
- Loosen two CM4\*25 screws from aiming assembly; attach the aiming assembly in the keyhole slots and tighten two screws (30-45 in-lbf (3.5 to 5 N-m)).
- Drill appropriate knockout according to the size of the mounting bracket.
- Set luminaire in place and install bolt, flat washers, spring washer and nut to securely fasten the fixture mounting bracket to the mounting structure (35-45 ft-lbf(47 to 60 N-m)). Do not fully tighten the hardware until the fixture is aiming, just make sure the fixture is secure.
- Remove one of the 1/2" screw plugs from the bottom of the junction box, then remove the junction box bottom cover, pass the input wire through the bottom cover (sufficiently long wire needed) and secure it with a metal waterproof connector (not included).
- Make all necessary wiring connections, according to below wiring diagram, observing proper voltage and polarity.
- Make sure that all wires are securely connected and that there are no exposed conductors, carefully push the wire into the junction box (Make sure wires do not get pinched), then reinstall the junction box bottom cover (35-75 in-lbf (4-8 N-m)).
- Slightly loosen the fixture aiming screws just enough to allow the fixture to rotate and tilt. Use horizontal aiming protractor and aiming sights to locate fixtures depending on different lighting needs.
- After aiming is complete, tighten all bolts and screws including hex bolts (26-33 ft-lbf (35 to 45 N-m)) and set screws (35-75 in-lbs (4-8 N-m)) on side of fixture and mounting hardware.
- Installation and service of luminaires should be performed by a qualified licensed electrician.



## GMR1 Sports Light

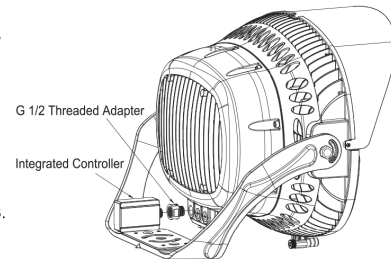
### Installation Guide 2 (Option)

1. Secure the mount bracket plate on the mounting bracket with four KM4\*12-SS screws (30-45 in-lbf (3.5 to 5 N-m)).  
(Note: This step applies to Small size fixtures only. Mount bracket plate is pre-installed for Large Size fixtures.)
2. Secure visor on fixture with three PM5\*8-SS screws (30-45 in-lbf (3.5 to 5 N-m)).
3. Secure the yoke adaptor on the mounting bracket with two bolts, spring washers and nuts (35-45 ft-lbf(47 to 60 N-m)), then snap the pole into the 2-3/8 tenon, and lock it with the three 3/8 x 0.787 screws (10-15 ft-lbf (14 to 18 N-m)).
4. Remove one of the 1/2" screw plugs from the bottom of the junction box, then remove the junction box bottom cover, pass the input wire through the bottom cover (sufficiently long wire needed) and secure it with a metal waterproof connector (not included).
5. Make all necessary wiring connections, according to below wiring diagram, observing proper voltage and polarity.
6. Make sure that all wires are securely connected and that there are no exposed conductors, carefully push the wire into the junction box (Make sure wires do not get pinched), then reinstall the junction box bottom cover (35-75 in-lbs (4-8 N-m)).
7. Slightly loosen the fixture aiming screws just enough to allow the fixture to rotate and tilt. Turn on the laser and use aiming assembly to aim the fixture according to the lighting design.
8. After aiming is complete, tighten all bolts and screws including hex bolts (26-33 ft-lbf (35 to 45 N-m)) and set screws (35-75 in-lbs (4-8 N-m)) on side of fixture and mounting hardware.



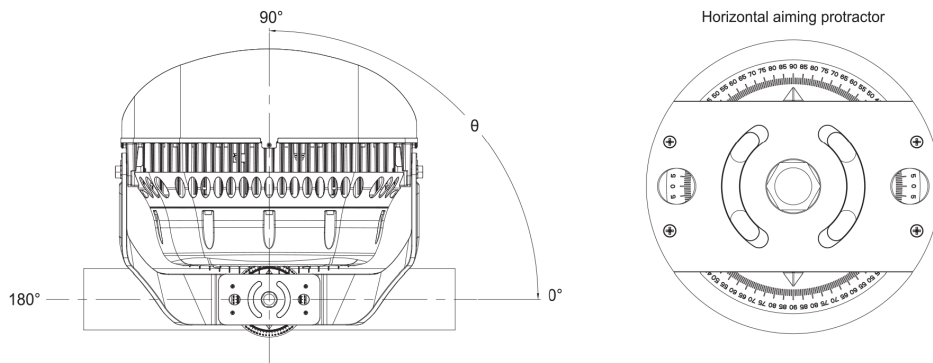
### Integrated Controller Installation (Option)

1. Remove the bottom cover of the junction box and the screw plug on the left side of the junction box.
2. Pass the smart controller's power cord through the G 1/2 threaded adapter and then screw the smart controller into the adapter.
3. Push the wire into the junction box and screw the connected controller and threaded adapter into the entire fixture.
4. Make all necessary wiring connections, according to below wiring diagram, observing proper voltage and polarity. Make sure that all wires are securely connected and that there are no exposed conductors.
5. Carefully push the wire into the junction box (Make sure wires do not get pinched) then reinstall the junction box bottom cover (35-75 in-lbs (4-8 N-m)).



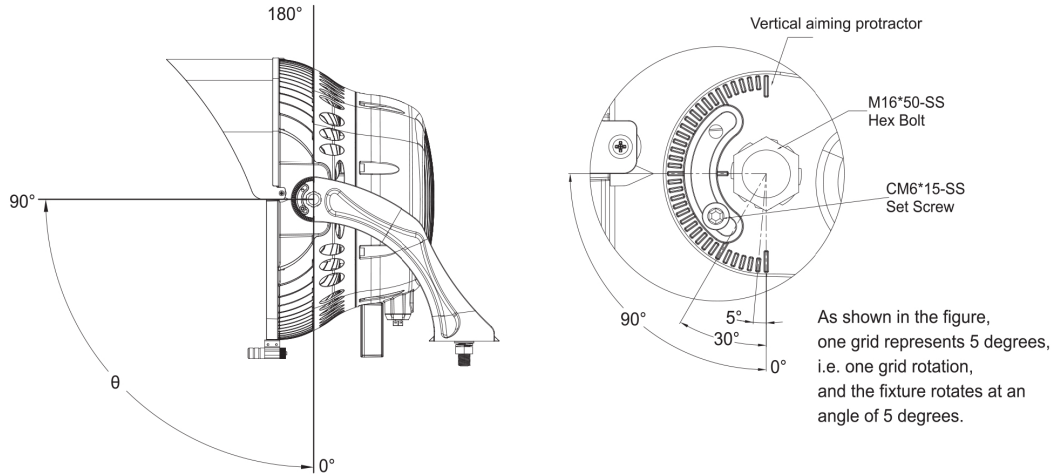
### Orient –Tilt

The Orient angle refers to the direction of the fixture face in the Z plane. Mount the fixture on the structure, but keep the mounting nut slightly loosened so that the entire fixture spins around the mounting bolt. Set the luminaire Orient by rotating the fixture mounting bracket relative to the mounting structure.



## GMR1 Sports Light

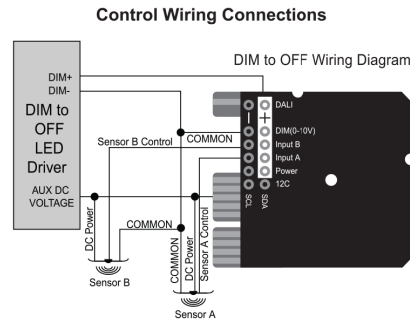
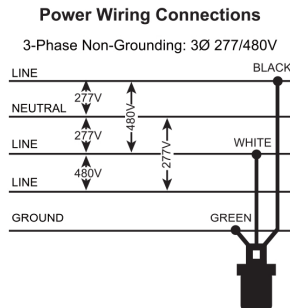
Tilt angle refers to the direction in which the fixture faces in the Y plane. When the luminaire is securely mounted on the structure so that the mounting bracket does not move, but the side hexagon and the mounting screw are loosened, the fixture may rotate upward in the mounting bracket. Set the tilt angle of the fixture by rotating the fixture housing relative to the fixture mounting bracket.













**Note:**

1. For replacement LED Assemblies and Drivers please contact SLG Lighting for any replacement parts.
2. Contact your local distributor or agent to confirm parts availability prior to ordering replacement parts.

## Electrical Connections



## Accessories List

Diagram	Quantity	Diagram	Quantity
Battery 	3 pcs	HM20*60-SS Bolt 	1 pc
Laser aiming assembly 	1 set (Two parts, aiming head and cover)	M20-SS Flat Washers 	2 pcs
Hexagon key 	2 pcs	M20-SS Spring Washer 	1 pc
PM5*8 screws 	3 pcs	M20-SS Nut 	1 pc
Visor 			1 pc
Horizontal aiming protractor 			1 pc