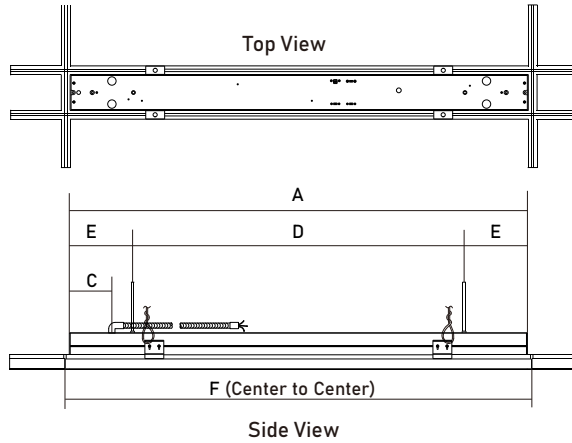


VALA M3 3.8" Architectural Linear Light

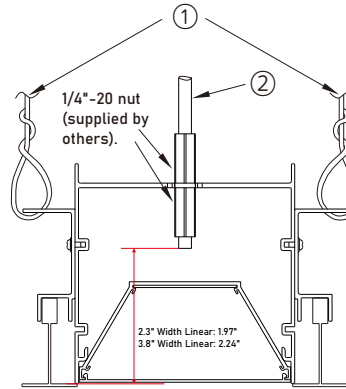
Grid Ceiling - Trimless

Grid Ceiling

Trimless



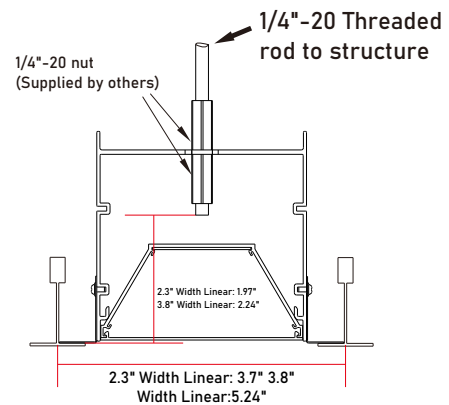
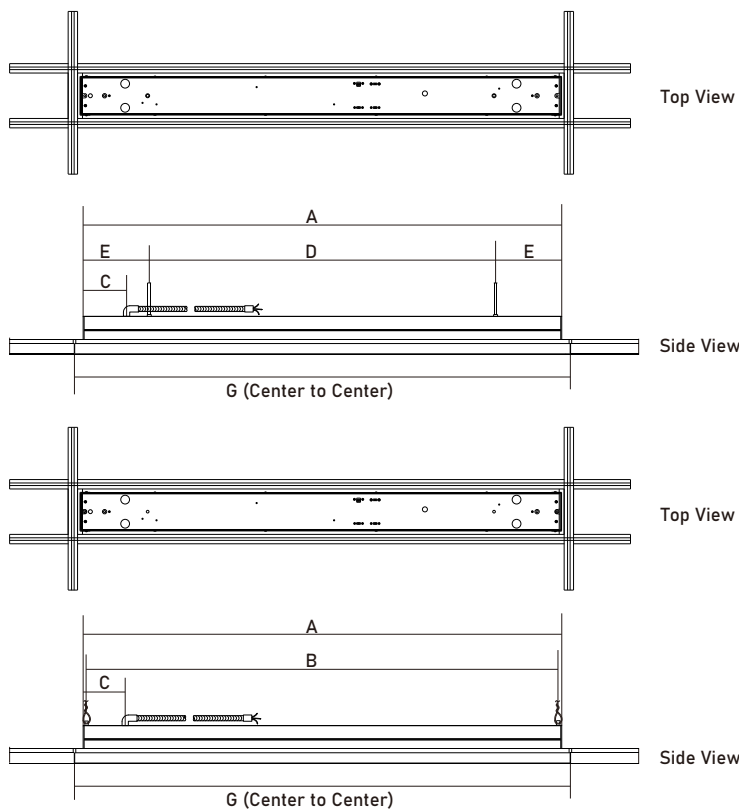
Grid Ceiling
(Wire Suspension or 1/4"-20 Threaded rod to structure)



- Support wire to structure
- 1/4"-20 Threaded rod to structure

You can choose Support wire or 1/4"-20 threaded rod, but when installing with a suspension cable, DRY ceiling suspension cables must be installed before installing CEILING, when installing with a suspension rod, the lighting fixtures must be installed before installing CEILING.

Trim



You can choose support wire or 1/4"-20 threaded rod, but when installing with a suspension cable, dry ceiling suspension cables must be installed before installing ceiling, when installing with a suspension rod, the lighting fixtures must be installed before installing ceiling.

DRY CEILING AND GRID CEILING - DIMENSIONS

Nominal Length	A	B	C		D	E	F	G
	Housing Length	Wire Rope	Feed Location		Rod Spacing	End Suspensions	Grid Spacing	Grid Spacing
	Feet	Feet	2.3" Width Linear	3.8" Width Linear	Feet	Feet	Inch	Inch
2 ft.	1.98'	1.92'	3.58"	4.33"	0.88'	0.54'	23.98" Center to Center	24.96" Center to Center
3 ft.	2.98'	2.94'	3.58"	4.33"	1.88'	0.54'	35.99" Center to Center	36.97" Center to Center
4 ft.	3.98'	3.94'	3.58"	4.33"	2.88'	0.54'	48.00" Center to Center	48.98" Center to Center
8 ft.	7.96'	7.90'	3.58"	4.33"	6.84'	0.54'	95.99" Center to Center	96.50" Center to Center

VALA M3 3.8" Architectural Linear Light

Grid Ceiling

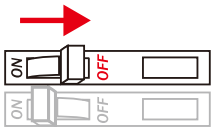
IMPORTANT

1. Read all instructions.
2. Install in accordance with national and local electrical code regulations.
3. This product is intended to be installed and serviced by a qualified, licensed electrician.
4. Do not install in wet locations. For dry and damp use only.
5. Turn off electrical power before installing or servicing fixture in any way.
6. To reduce the risk of fire and overheating, make sure all connections are tight.
7. Under no circumstances can the lighting fixture be covered with heat insulation gasket or similar materials.
8. The maximum connection of each input line is 40FT in 120AC, 100FT in 277AC.

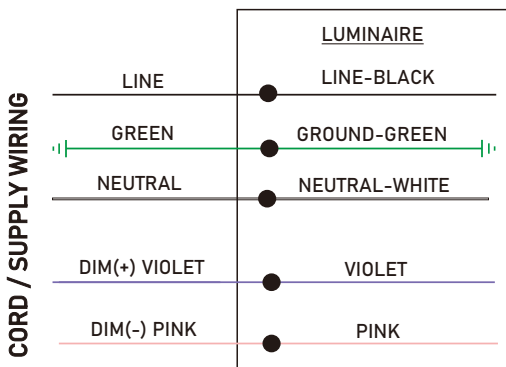
SHOCK HAZARD



May result in serious injury or death. Turn power OFF at circuit breaker prior to installation or servicing.



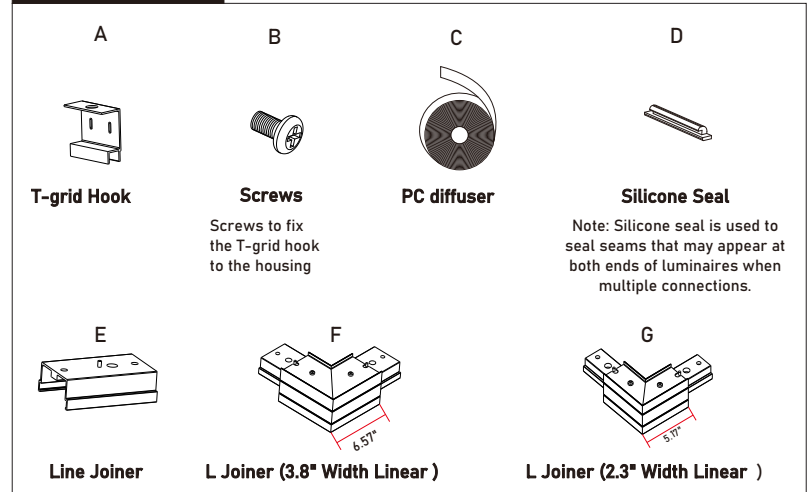
WIRING



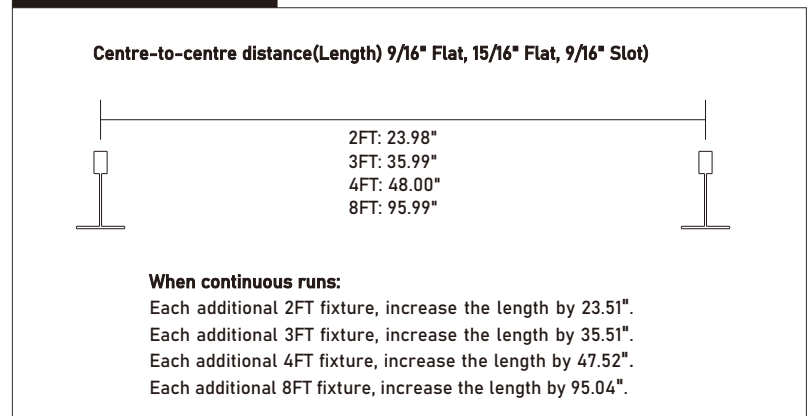
Please isolate two dimming wires by P2 terminal individually if no need dimming; Must connect wires with corresponding colors as shown.

PARTS LIST

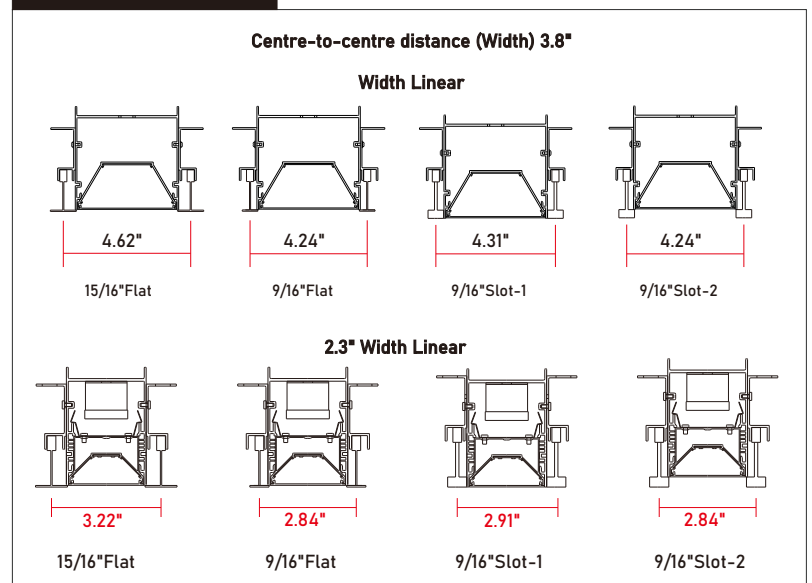
MUD-IN DRYWALL



Grid Ceiling Installation



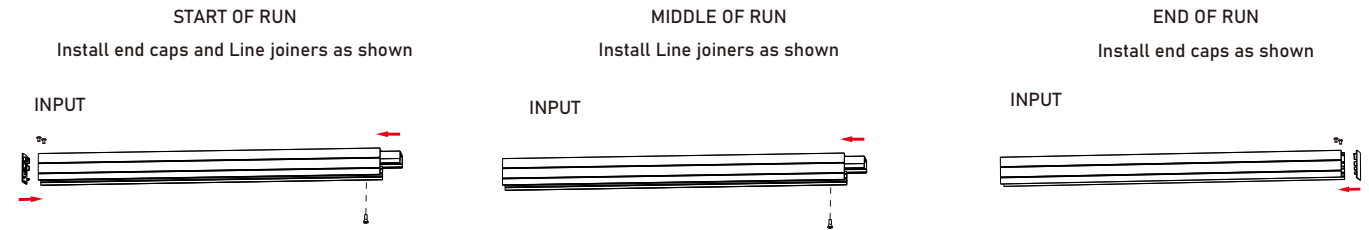
Grid Ceiling Installation



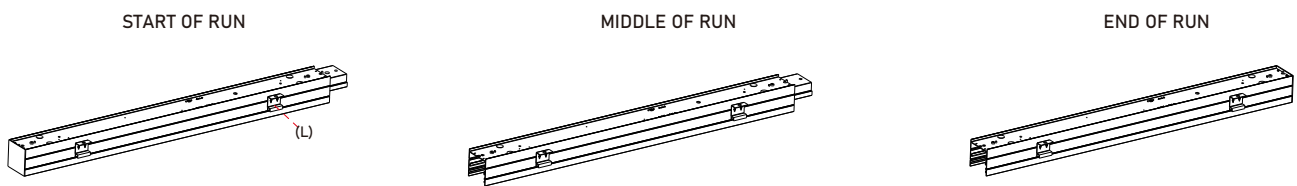
BEFORE CONNECTING

MULTIPLE LUMINAIRES CONNECTION - LINE CONNECTION

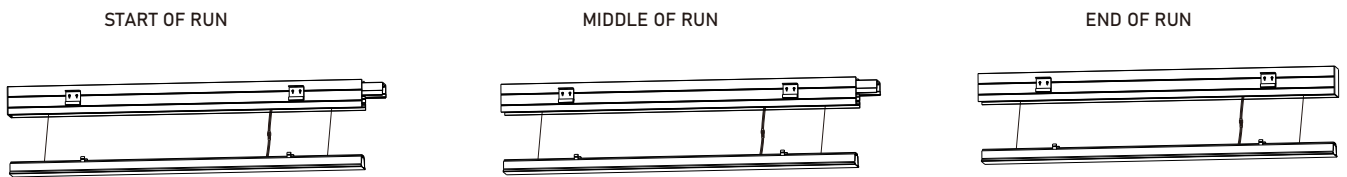
- ① Install the end caps and Line joiners



- ② Install T-grid hooks (A) as shown



- ③ Secure the LED modules with aircraft cable and connect the DC male and female terminals



MULTIPLE LUMINAIRES CONNECTION - L SHAPE CONNECTION

- ① Install the end caps



- ② Install T-grid hooks (A) as shown



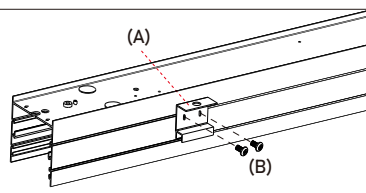
- ③ Secure the LED modules with aircraft cable and connect the DC male and female terminals



VALA M3 3.8" Architectural Linear Light

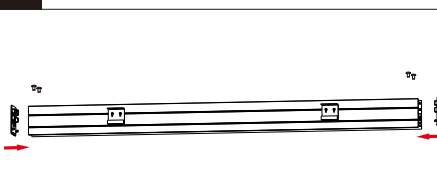
Grid Ceiling

1



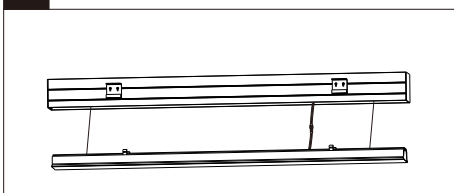
Install the T-grid hook on the housing by screws.
It can be moved up and down according to the different ceiling type.

2



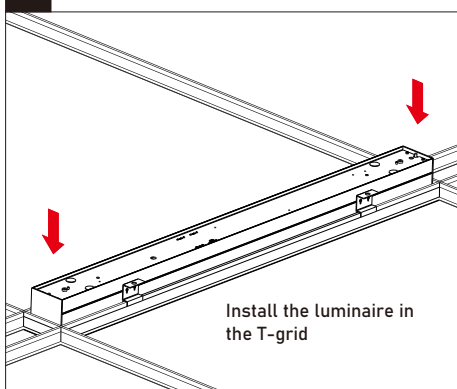
Install end cap as shown

3



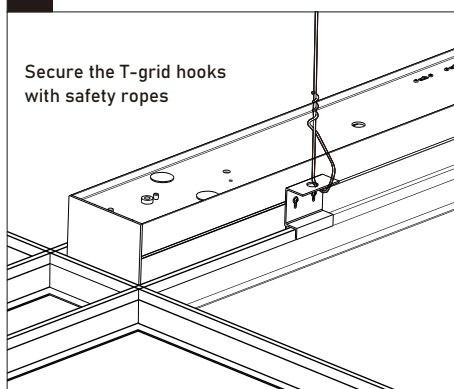
Secure the LED module with aircraft cable and connect the DC male and female terminals

4



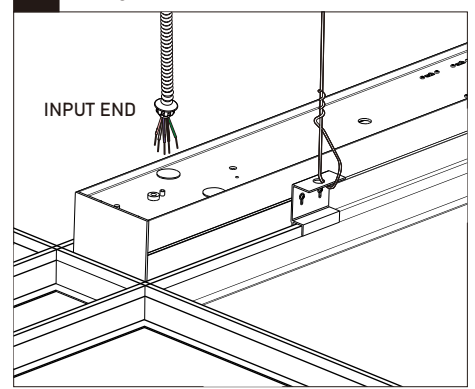
Install the luminaire in the T-grid

5



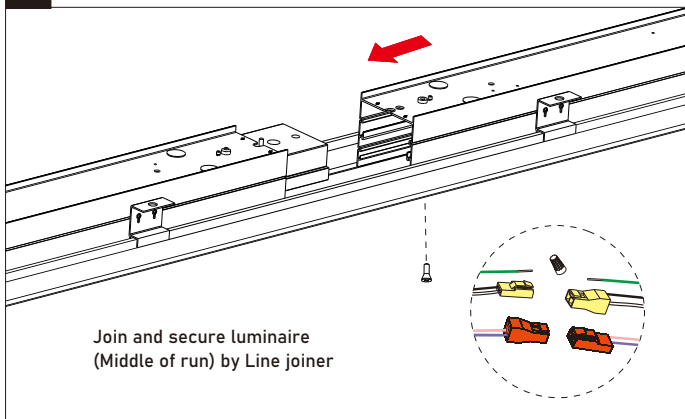
Secure the T-grid hooks with safety ropes

6 Wiring



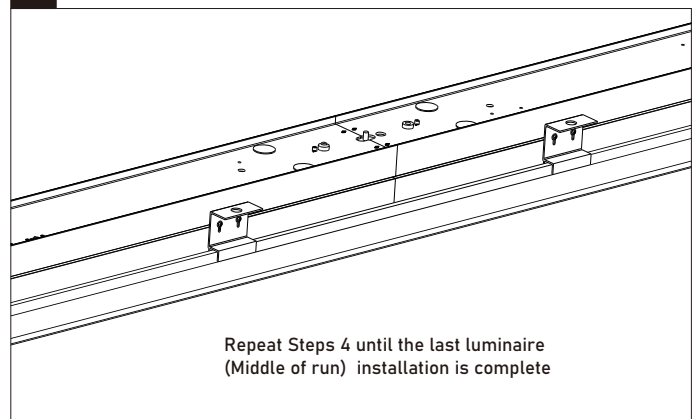
INPUT END

7 Refer to steps 7-9 for installation of multiple - connection.



Join and secure luminaire (Middle of run) by Line joiner

8



Repeat Steps 4 until the last luminaire (Middle of run) installation is complete

VALA M3 3.8" Architectural Linear Light

Grid Ceiling

9

Secure the luminaire (End of run):

1. Slide the whole Line joiner into the last luminaire (Middle of run)
2. Connect the luminaire (End of run) with the last luminaire (Middle of run)
3. Slide the line joiner halfway into the luminaire (End of run) and secure by screws

10 Refer to steps 10-12 for installation of multiple luminaires L connection

Connect the housing and L joiner by screws as shown

11

Half screw-in the screw at the end of the LED module (Start of run), then plug into the LED module of L joiner until the male and female terminals are connected correctly, screw it lastly.

12

Connect the housing (End of run) and L joiner together as shown

13

Plug the LED module into housing

14 Complete