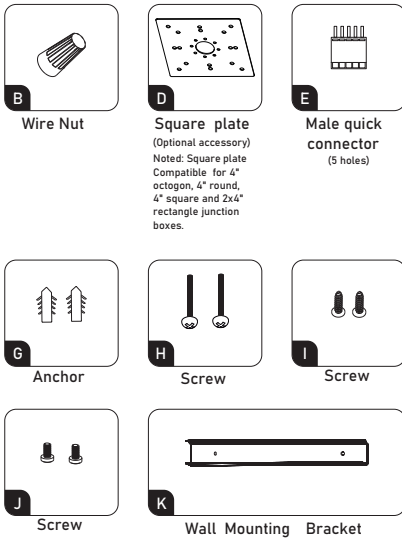


VALA M0 1.3" Wall Mount Linear Light

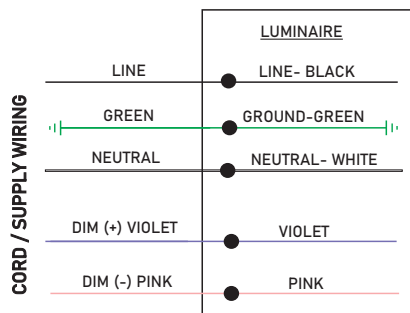
IMPORTANT

1. Read all instructions.
2. Install in accordance with national and local electrical code regulations.
3. This product is intended to be installed and serviced by a qualified, licensed electrician.
4. Do not install in wet locations. For dry and damp use only.
5. Turn off electrical power before installing or servicing fixture in any way.
6. To reduce the risk of fire and overheating, make sure all connections are tight.
7. Under no circumstances can the lighting fixture be covered with heat insulation gasket or similar materials.
8. The maximum connection of each input line is 40FT(1200CM) in 120AC, 80FT (2400CM) in 230AC, 100FT(3000CM) in 277AC.

ACCESSORY



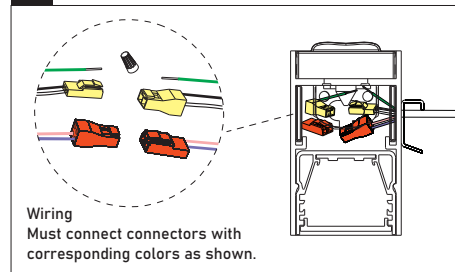
WIRING



! Please isolate two dimming wires by P2 terminal individually if no need dimming; **MUST connect wires with corresponding colors as shown.**

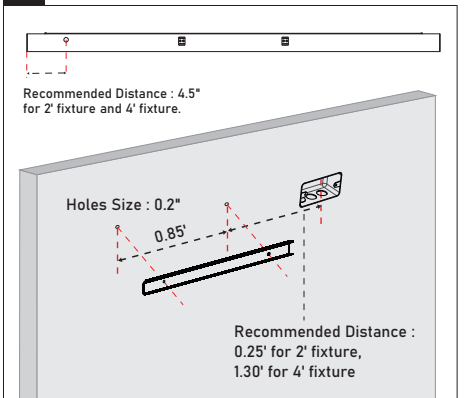
INDEPENDENT INSTALLATION

1 Assemble Power Cord

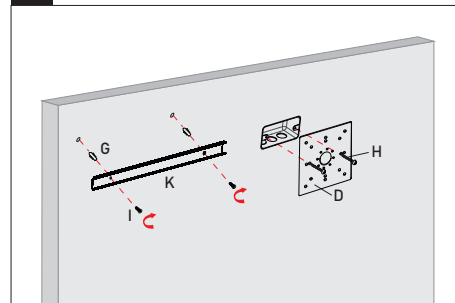


Take off the end cap and LED modular, thread the power cord out of the housing as shown.
 Wiring and then remount LED modular and end cap.

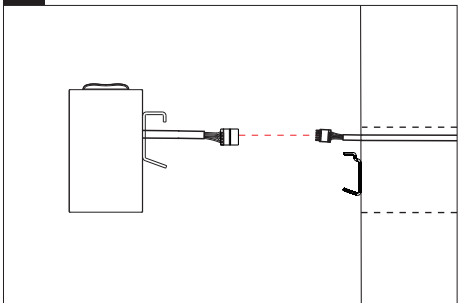
2 Install mounting point on wall



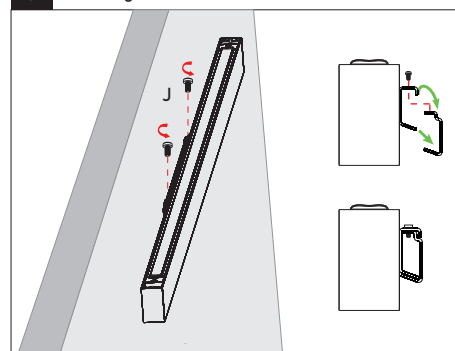
3 Install plate and bracket



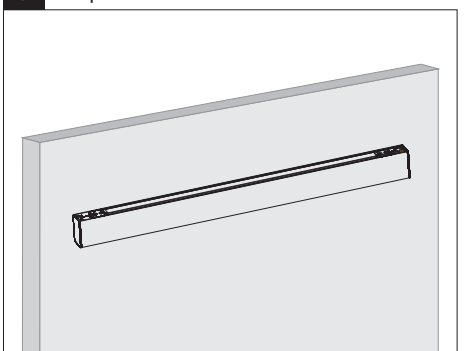
4 Wiring



5 Mounting



6 Complete



VALA M0 1.3" Wall Mount Linear Light

ACCESSORY



"—" Joiner

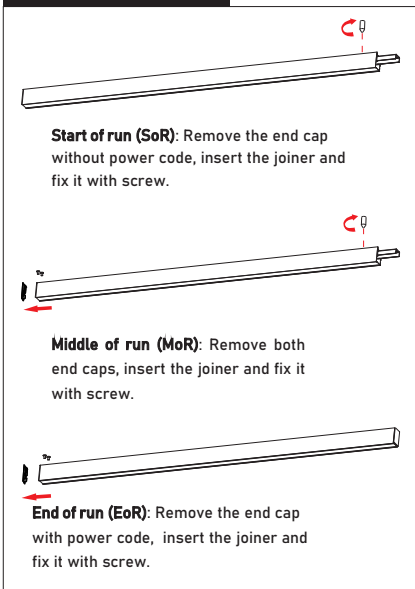


Silicone Seal

Noted: Silicone Seal is used to seal seams that may appear at both ends of luminaires when multiple connections.

BEFORE CONNECTING

Disassemble luminaires



MULTIPLE LUMINAIRES CONNECTION

1 Install mounting point on wall

Holes Size: 0.2"

L1: 0.25' for 2' fixture
1.30' for 4' fixture
L2: 0.85'
L3: 1.24' for 2' fixture
3.33' for 4' fixture

2 Install plate and bracket from SoR to EoR

3 Wiring - SoR

3-1: Plug in AC wires, dimming wires and ground wire into the male quick connector (5 holes) "E" according to label instructions.

3-2: Plug in the male and female connector together, hide all wires into the junction box.

4 Mounting

Match the hole position of the fixture and "wall mounting bracket", and mount the fixture onto wall with screw "J".

5 Repeat instal and join steps - MoR to EoR

Wiring
Must connect connectors with corresponding colors as shown.

6 Complete

Optional 42' Diffuser Lens Roll

Diffuser (Optional Accessories)
Optional continuous roll-out lens which can reach seamless continue runs up to 42' is available.