

Project Name:
Part Number:
Fixture Type
Notes:

UHB4 Series High Bay Light

APPLICATIONS

The UHB4 Series Circular High Bay is the ideal choice for replacing 175W to 400W metal halides. 4 selectable lumen outputs for different ceiling heights and 2 selectable CCT color outputs. With sealed die-cast housing and simple mounting options. Lightweight for easy installation with a durable J-Hook - engineered with your experience first. Controls are ready with plug-in sensors to make your safety and security a top priority.

UL Listing

Suitable for wet locations

Replacement

Replaces 175W MH - 400W MH



UHB4 150W



UHB4 210W / 230W



ORDERING INFORMATION



EXAMPLE: UHB4 150 4K UNV

Series	Wattage Selectable	CCT Selectable	Finish	Voltage	Options
UHB4	40% = 60W	4K 4000K 5K 5000K	BLANK Black	UNV 120-277V	Blank = No Accessories BLD15* = 15w Emergency Backup Battery Driver Suit for 150W BLD25* = 25w Emergency Backup Battery Driver Suit for 230W ANT-6-4T = PIR Motion sensor ANT-5-4T = Microwave Motion Sensor TB = U-bracket use for surface Mount
	60% = 90W				
	80% = 120W				
	100% = 150W				
	40% = 84W				
	60% = 126W				
	80% = 168W				
	100% = 210W				
	40% = 92W				
	60% = 138W				
	80% = 184W				
	100% = 230W				

*Emergency Backup Battery - field installed.



BLD 15/25



ANT-6-4T



ANT-5-4T



TB

Accessories & Options

PERFORMANCE DATA

PART NUMBER	POWER %	WATTAGE	LPW	CRI	4000K	5000K
					LUMENS	LUMENS
UHB4 150	40%	60W	180 lm/w	70+	10,800	10,000
	60%	90W	172 lm/w	70+	15,500	14,600
	80%	120W	167 lm/w	70+	20,000	19,000
	100%	150W	160 lm/w	70+	24,000	22,500
UHB4 210	40%	84W	173 lm/w	70+	14,500	14,000
	60%	126W	167 lm/w	70+	21,000	20,500
	80%	168W	158 lm/w	70+	26,500	26,000
	100%	210W	152 lm/w	70+	32,000	31,200
UHB4 230	40%	92W	179 lm/w	70+	16,500	16,000
	60%	138W	174 lm/w	70+	24,000	23,000
	80%	184W	163 lm/w	70+	30,000	29,000
	100%	230W	157 lm/w	70+	36,000	35,000

ORE LIGHTING

SPECIFICATIONS

HOUSING

Sealed die-casting profile, fit for indoor and outdoor purposes.

AMBIENT TEMPERATURE

Suitable for use in -40°F to 131°F (-40°C to 55°C)

MOUNTING

Hook mount, U-Bracket mount, and pendent installation conduit

CCT SELECTABLE

Switch selectable
4000K / 5000K; 70+ CRI

LUMENS SELECTABLE

Selectable lumen packages ranging from
10,000 - 24,000 lm for 150W
14,000 - 32,000 lm for 210W
16,000 - 36,000 lm for 230W

EFFICACY

Up to 170 lumens per watt

ELECTRICAL

Standard 120V - 277V - 6' non-terminated power cord
0-10V dimming standard with a dimming range of
100% to 10%.

ENERGY DATA

Power factor above 90%.

FINISH

Polyester Powder Black finish with superior corrosion
resistance and maximum durability.

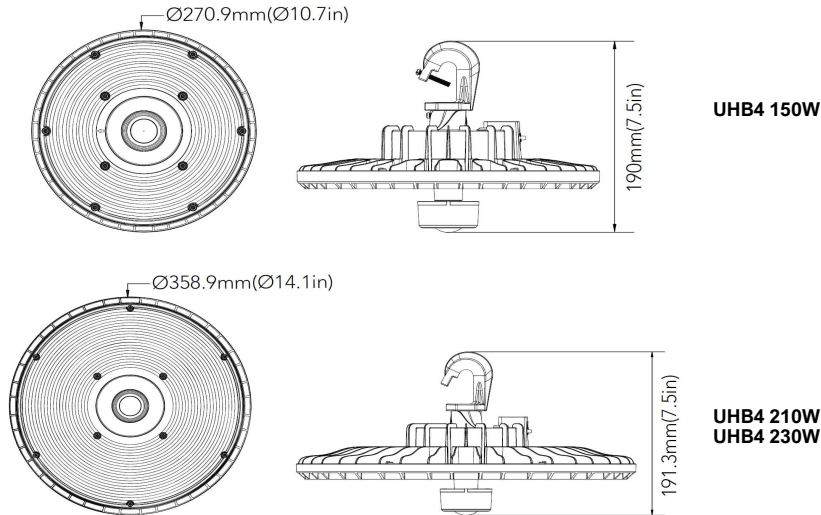
GREEN TECHNOLOGY

Mercury and UV-free. RoHS compliant components.
Polyester powder coat finish formulated without the
use of VOCs or toxic heavy metals

WARRANTY

5 year limited warranty. Comprehensive warranty
terms can be located on www.orelighting.com

DIMENSIONS



Weight

UHB4 150W	7.42 lbs
UHB4 210W	8.45 lbs
UHB4 230W	8.45 lbs

ELECTRICAL LOAD

WATTAGE	Current (A)			
	120V	208V	240V	277V
92W	0.77	0.44	0.38	0.33
138W	1.15	0.66	0.58	0.50
184W	1.17	0.88	0.77	0.66
230W	1.92	1.11	0.96	0.83

ORE LIGHTING

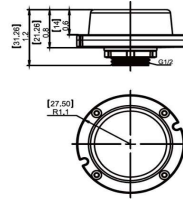
OPTIONS



ANT-5-4T
Bi-level Microwave Sensor



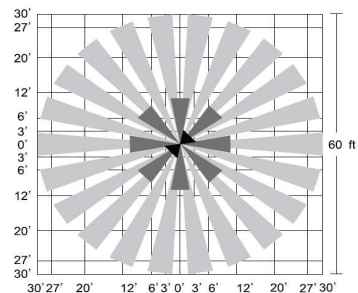
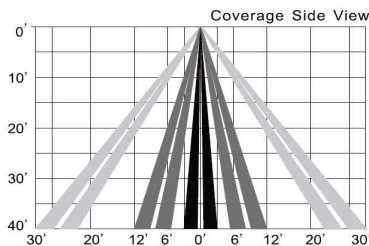
RC-100
Remote Control



The **ANT-5-4T** is a motion sensor that dims lighting from high to low based on movement. The sensors use microwave sensing technology that reacts to changes in movement within the coverage area.

Power supply	12V/24V DC, >50mA
Dim control output	0-10V, max. 25mA sinking current
HF System	5.8GHZ + / - 75MHz
Transmission power	<0.2mW
Detection radius	20% / 50% / 75% / 100%
Mounting height	Max 50ft
Time setting	10s / 1 min / 5 min / 10 min / 15 min / 20 min / 30 min / 60 min
Light control	24H / 10 LUX / 30 LUX / 50 LUX
Temperature	-40°F to 167°F

SENSOR COVERAGE



WIRING DIAGRAMS

