



Project Name:
 Part Number:
 Fixture Type
 Notes:

UHB4 Series Selectable High Bay Light

APPLICATIONS

The UHB4 Series Circular High Bay is the ideal choice for replacing 175W to 400W metal halides. 4 selectable lumen outputs for different ceiling heights and 2 selectable CCT color outputs. With sealed die-cast housing and simple mounting options. Lightweight for easy installation with a durable J-Hook - engineered with your experience first. Controls are ready with plug-in sensors to make your safety and security a top priority.



150W



210W / 230W

UL Listing

Suitable for wet locations

Replacement

Replaces 175W MH - 400W MH



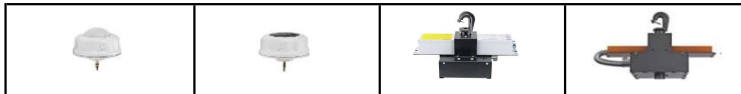
ORDERING INFORMATION



EXAMPLE: **UHB4 150W LCS UNV**

Series	Wattage Selectable	CCT Selectable	Finish	Voltage	Options
UHB4	60W - 10800 lm 90W - 15500 lm 120W - 20000 lm 150W - 24000 lm	LCS 4000K 5000K	BLANK Black	UNV 120-277V 480 347/480V	Blank No Accessories MPS PIR motion sensor MPSB Bluetooth PIR motion sensor EB15 15W Emergency Battery for 150W 120-277V EB25 25W Emergency Battery for 210W and 230W 120-277V
	84W - 14500 lm 126W - 21000 lm 168W - 26500 lm 210W - 32000 lm				
	92W - 16500 lm 138W - 24000 lm 184W - 30000 lm 230W - 36000 lm				

Accessories & Options



PCTM
MHANT12VP PIR sensor
(Sold separately)

MPS
MHANT12VPB PIR
Bluetooth sensor
(Sold separately)

EB15
15W 2100 lm 90 min
(Sold separately)

EB25
25W 3500 lm 90 min
(Sold separately)

OFFERING 4 WATTAGE AND 2 CCT FIELD SELECTABLE



Houston, Texas

Sales@orelighting.com

346-874-7955

www.orelighting.com

Note: Information contained herein is subject to change without notice.

©2024 ORE Lighting INC. All rights reserved

SPECIFICATIONS

HOUSING

Sealed die-casting profile, fit for indoor and outdoor purposes.

AMBINET TEMPERATURE

Suitable for use in -40°F to 131°F (-40°C to 55°C)

MOUNTING

Hook mount, U-Bracket mount, and pendent installation conduit

CCT SELECTABLE

Switch selectable
4000K / 5000K; 70+ CRI

LUMENS SELECTABLE

Selectable lumen packages ranging from
10,000 - 24,000 lm for 150W
14,000 - 32,000 lm for 210W
16,000 - 36,000 lm for 230W

EFFICACY

Up to 170 lumens per watt

ELECTRICAL

Standard 120V - 277V - 6' non-terminated power cord
0-10V dimming standard with a dimming range of
100% to 10%.

ENERGY DATA

Power factor above 90%.

FINISH

Polyester Powder Black finish with superior corrosion
resistance and maximum durability.

GREEN TECHNOLOGY

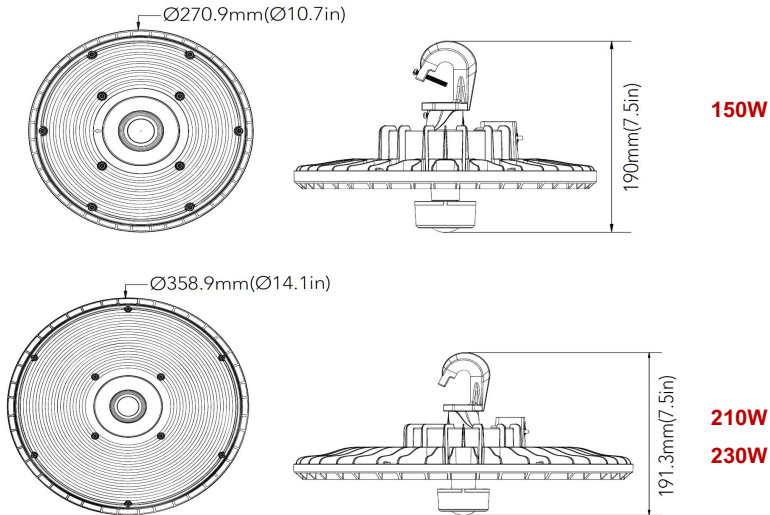
Mercury and UV-free. RoHS compliant components.
Polyester powder coat finish formulated without the
use of VOCs or toxic heavy metals

WARRANTY

5 year limited warranty. Comprehensive warranty
terms can be located on www.orelighting.com

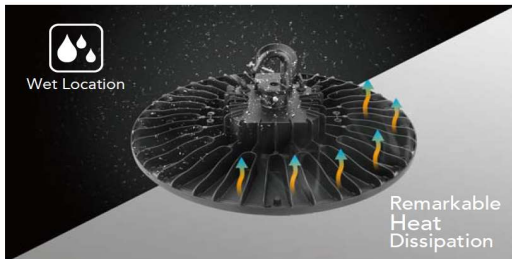
DIMENSIONS

unit: mm / inch



Weight

UHB4 150W	7.42 lbs
UHB4 210W	8.45 lbs
UHB4 230W	8.45 lbs

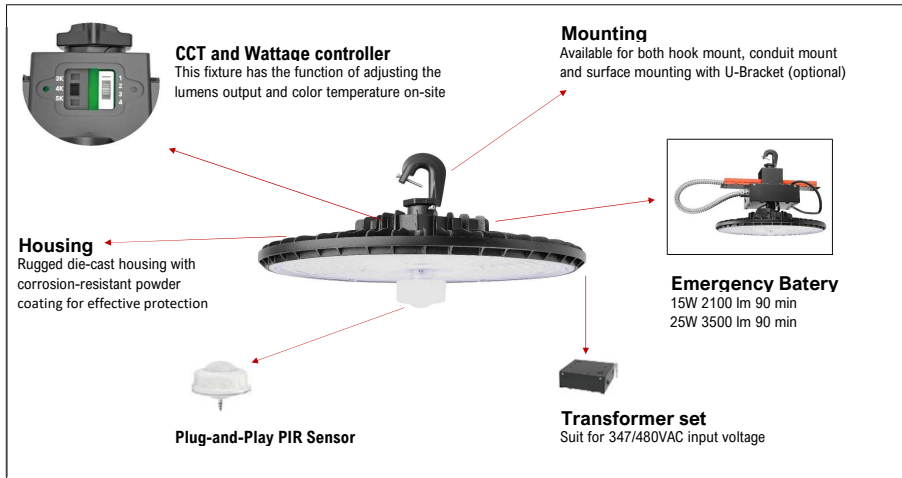


PERFORMANCE DATA

PART NUMBER	POWER	WATTAGE	4000K		5000K	
			LUMENS	EFFICACY	LUMENS	EFFICACY
UHB4 150	40%	60W	10,800	180 lm/w	10,000	168 lm/w
	60%	90W	15,500	172 lm/w	14,600	165 lm/w
	80%	120W	20,000	167 lm/w	19,000	163 lm/w
	100%	150W	24,000	160 lm/w	22,500	158 lm/w
UHB4 210	40%	84W	14,500	173 lm/w	14,000	170 lm/w
	60%	126W	21,000	167 lm/w	20,500	162 lm/w
	80%	168W	26,500	158 lm/w	26,000	154 lm/w
	100%	210W	32,000	152 lm/w	31,200	147 lm/w
UHB4 230	40%	92W	16,500	179 lm/w	16,000	175 lm/w
	60%	138W	24,000	174 lm/w	23,000	171 lm/w
	80%	184W	30,000	163 lm/w	29,000	160 lm/w
	100%	230W	36,000	157 lm/w	35,000	154 lm/w

ELECTRICAL LOAD

PART NUMBER	WATTAGE	Current (A)					
		120V	208V	240V	277V	347V	480V
UHB4 150	60W	0.5	0.28	0.25	0.22	0.17	0.13
	90W	0.75	0.43	0.38	0.33	0.26	0.19
	120W	1.00	0.58	0.50	0.43	0.35	0.25
	150W	1.25	0.72	0.63	0.54	0.43	0.31
UHB4 210	84W	0.7	0.41	0.35	0.30	0.24	0.18
	126W	1.05	0.60	0.52	0.46	0.36	0.26
	168W	1.4	0.81	0.70	0.61	0.48	0.35
	210W	1.75	1.01	0.87	0.76	0.61	0.44
UHB4 230	92W	0.77	0.44	0.38	0.33	0.27	0.19
	138W	1.15	0.66	0.58	0.50	0.40	0.29
	184W	1.17	0.88	0.77	0.66	0.53	0.38
	230W	1.92	1.11	0.96	0.83	0.66	0.48



CCT and Wattage controller
This fixture has the function of adjusting the lumens output and color temperature on-site

Mounting
Available for both hook mount, conduit mount and surface mounting with U-Bracket (optional)

Housing
Rugged die-cast housing with corrosion-resistant powder coating for effective protection

Emergency Battery
15W 2100 lm 90 min
25W 3500 lm 90 min

Plug-and-Play PIR Sensor

Transformer set
Suit for 347/480VAC input voltage