

UHB3 Round High Bay Light



WARNING

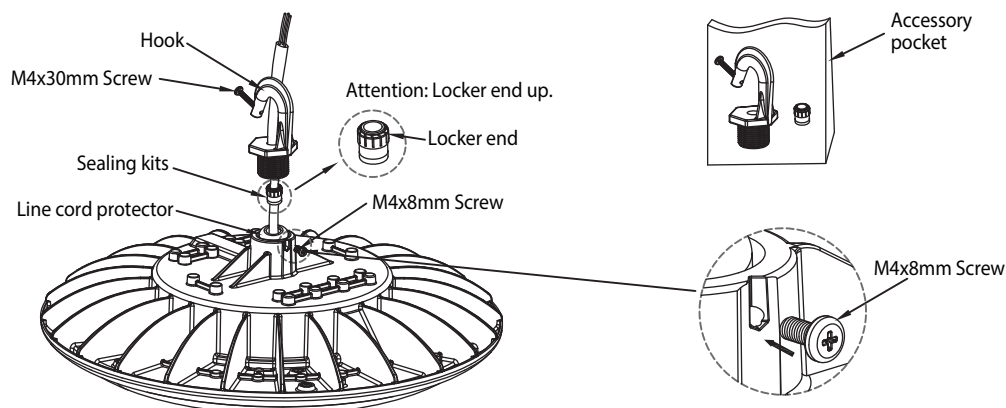
PLEASE READ ALL INSTRUCTIONS BEFORE ATTEMPTING INSTALLATION

- To prevent personal injury or product damage only licensed electricians should install.
- To avoid electric shock or component damage disconnect power before attempting installation or servicing.
- This product must be installed in accordance with the national electric code (NEC) and all applicable federal, state and local electric codes and safety standards.
- Disconnect product and allow cooling prior to servicing.
- Any alteration or modification of this product is expressly forbidden as it may cause serious personal injury, death, property damage and/or product malfunction.
- To prevent product malfunction and/or electrical shock this product must be properly grounded.
- This luminaire is designed to operate in ambient temperatures ranging from -40°C to 55°C and to be horizontally mounted with the LEDs facing down.
- This product must be installed in accordance with the applicable installation code by a Person familiar with the construction and operation of the product and the hazards involved.
- In 75°C supply conductors.

Installation

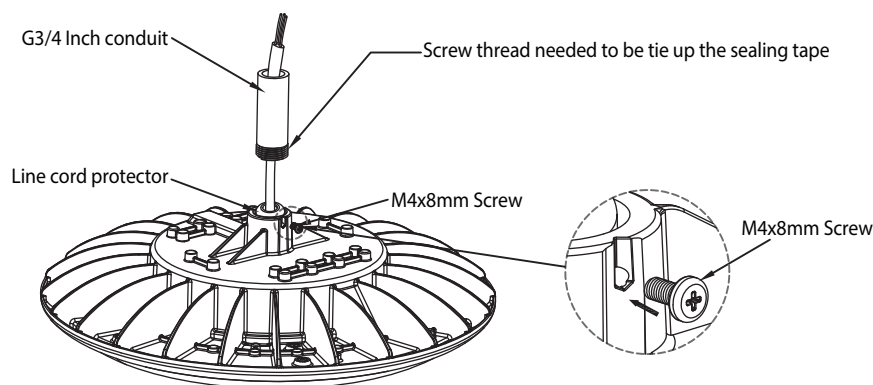
1. Hook installation

1. Take out the hook from accessory package, thread the power cord through the hole of hook (make sure the gasket is kept inside of the hole of fixture for waterproofing).
2. Screw the hook into 3/4" hole on fixture tightly.
3. Hook the hook onto the desired place and tighten the screw to lock the hook. Connecting the wiring according to the wiring diagram. Then installation is done.



2. Pendant installation

1. Remove the line cord protector after you get the high bay light.
2. Pulling the fixture wire out of 3/4 inch conduit, rotating the fixture until fixed on the conduit, and then lock the M4x8mm screw. After that, connecting the wires according to the wire diagram. Please note to achieve fixture waterproof, the 3/4 inch screw thread needed to be tie up the sealing tape.
3. Tighten the M4x8mm screw, to make sure that the G3/4 conduit won't loosen or fall off easily.
4. Pendant installation is done.



Wire Connection

Black	○	Line
White	○	Neutral
Green/Yellow Green	○	Ground
Purple	○	DIM+
Gray	○	DIM-