

Installation Instruction

WARNING

- To reduce the risk of death, personal injury or property damage from fire, electric shock, falling parts, cuts/abrasions, and other hazards read all warnings and instructions included with and on the fixture box and all fixture labels.
- Before installing, servicing, or performing routine maintenance upon this equipment, follow these general precautions.
- Commercial installation, service and maintenance of luminaires should be performed by a qualified licensed electrician.
- For the installation: If you are unsure about the installation or maintenance of the luminaires, consult a qualified licensed electrician and check your local electrical code.
- To prevent wiring damage or abrasion, do not expose wiring to edges of sheet metal or other sharp objects.
- Do not make or alter any open holes in an enclosure of wiring or electrical components during kit installation.

WARNING

- Turn off electrical power at fuse or circuit breaker box before wiring fixture to the power supply.
- Turn off the power when you perform any maintenance.
- Verify that supply voltage is correct by comparing it with the luminaire label information.
- All wiring connections should be capped with UL approved wire connectors.

CAUTION

- Avoid direct eye exposure to the light source while it is on.
- Account for small parts and destroy packing material, as these may be hazardous to children.
- Risk of burn. Disconnect power and allow fixture to cool before changing bulb or handing fixture.

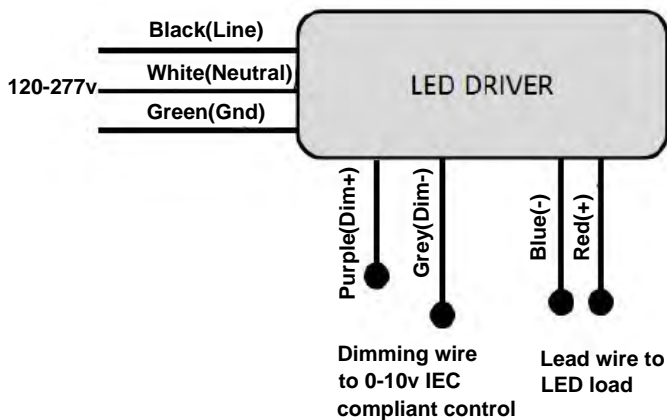
NOTICE: Green ground screw provided in proper location. Do not relocate.

NOTICE: Minimum 90° supply conductors.

NOTICE: Specifications and dimensions subject to change without notice.

NOTICE: Suitable for Dry or Damp location

General Wiring Diagram



Installation Instruction

A: Surface Mounting

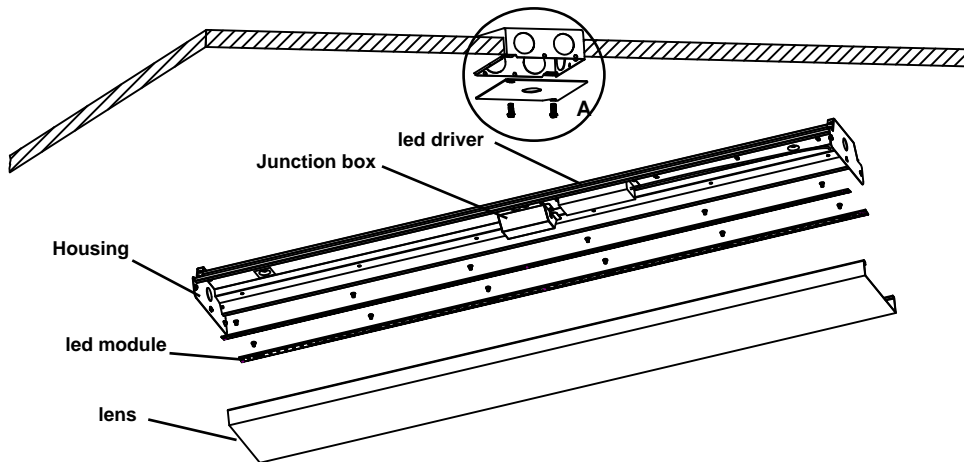


Figure 1
Concealed outlet box

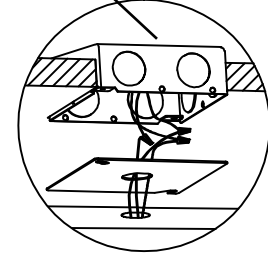
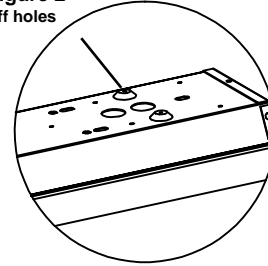
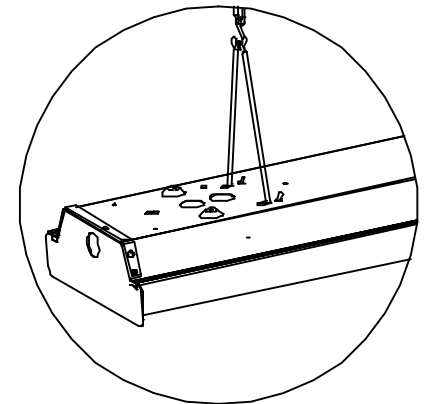
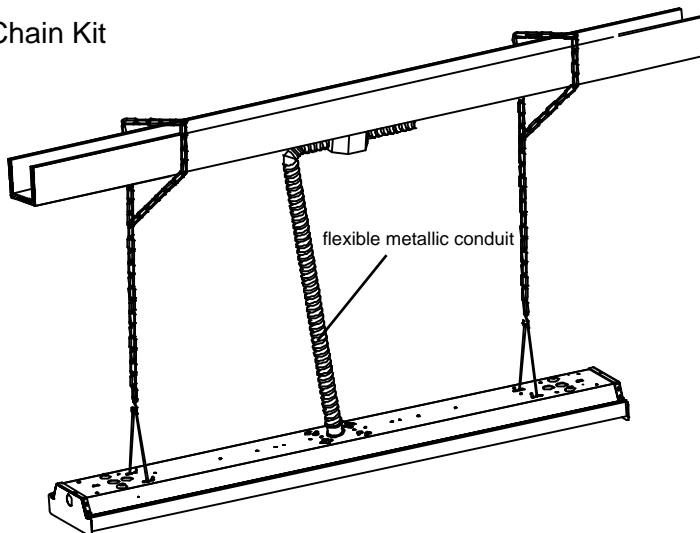


Figure 2
Knock-off holes



1. Remove product from packaging
2. Remove lens by pulling from one side of the fixture and hinge on the other
3. For mounting, using the provided mounting holes on each end of the fixture housing.
4. Make electrical connections according to code.
5. Install channel cover
6. Install lens on one side of the fixture and rotate to engage the opposite side

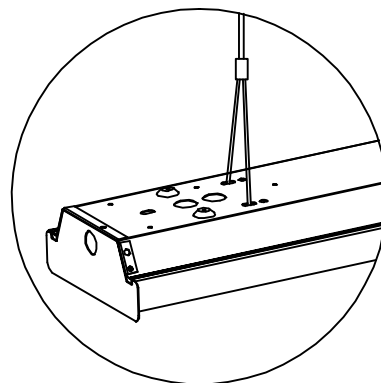
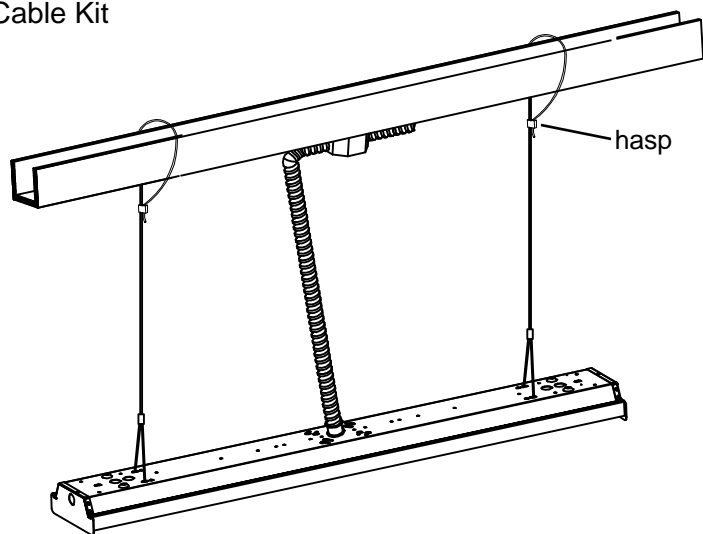
B: Chain Kit



1. Remove product from packaging
2. Remove lens by pulling from one side of the fixture and hinge on the other
3. For mounting, using the provided mounting holes on each end of the fixture housing.
4. Make electrical connections according to code.
5. Install channel cover
6. Install lens on one side of the fixture and rotate to engage the opposite side

Installation Instruction

C: Cable Kit

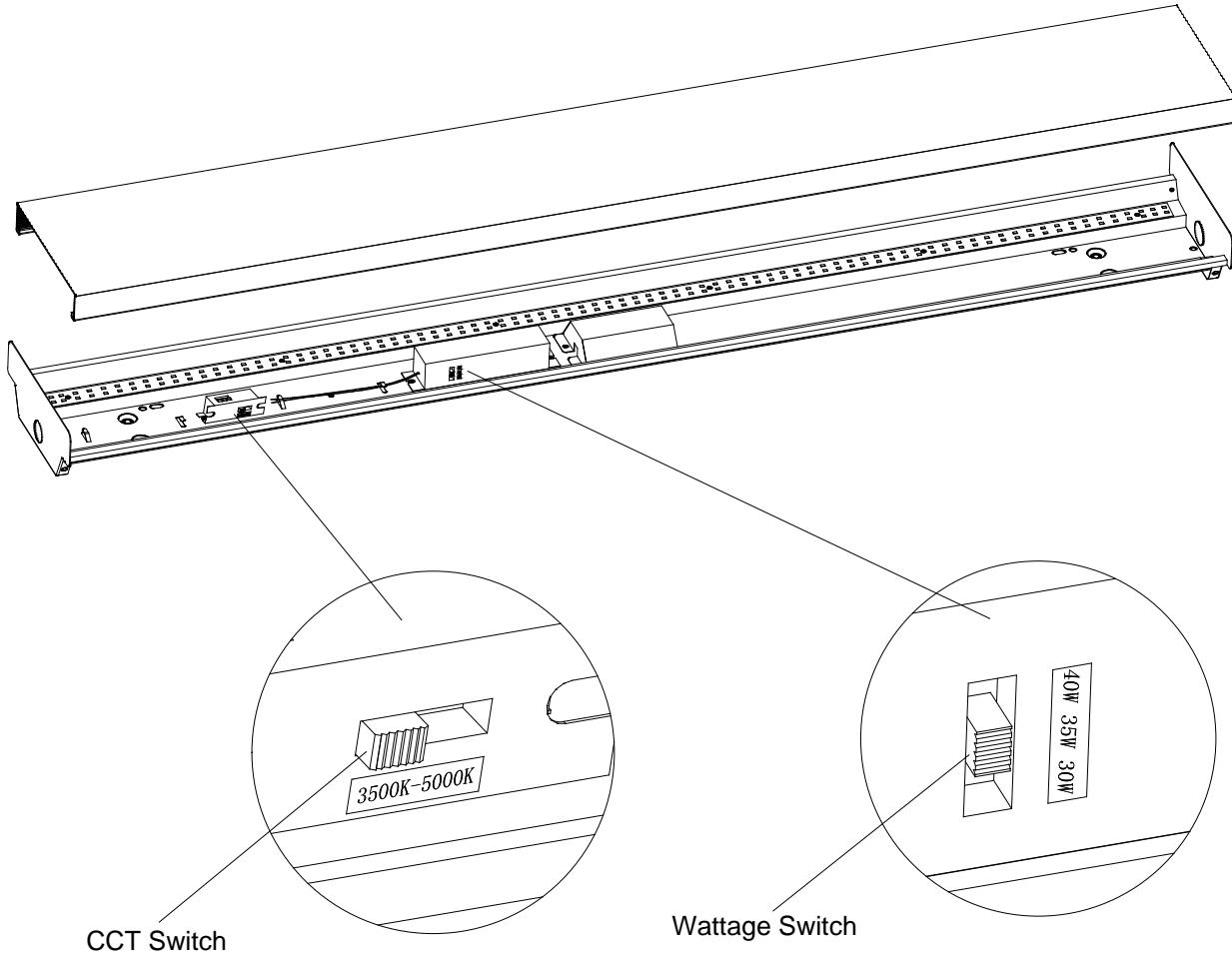


Step1:Mount cable to the luminaire.Twine the one end of cable to the beam, then insert into the hasp,adjust the cable to be desired height.

Step2:Wire to the mian power.

Installation Instruction

Field-Adjustable Wattage & CCT



The end users may adjust the color temperature and lumen output respectively by the two DIP switch. Each DIP switch is accommodated with 3 options (left, middle and right), corresponding to 3 color temperatures and 3 powers respectively, which can perform the desired color temperature and lumen output combination.

Factory Settings: 3500K, 40W

1. DIP switches are located onto the side of the fixture.
2. Select a wattage and color temperature by sliding switch left or right respectively to the desired value.