

Project Name:
Part Number:
Fixture Type
Notes:

TPL LED Tunable Sensor Based Back Lit Panel Light

APPLICATIONS

The TPL G2 Selectable Sensor Backlit Panel Series is designed with innovative backlit technology for even, edge-to-edge illumination that covers the entire surface of the panel. This built-for-all and built-to-last flat panel is available in three sizes and features 3 Selectable Color Temperatures and 3 Lumen Adjustable Levels. Worry less about your lighting needs, and the TPL G2 sets the standard in quality and performance.

DLC Listed

This product is on the DESIGN Lights Consortium (DLC Premium 5.1) Qualified Products List and is eligible for rebates from DLC Member Utilities.

UL Listing

Suitable for Damp locations

Mercury-free

Compatible with most Lutron and Leviton dimmers



2x2FT 20W / 25W / 30W



1x4FT 20W / 25W / 30W



2x4FT 35W / 40W / 46W

ORDERING INFORMATION



EXAMPLE: TPL 22 30W 35K UNV

Series	Size	Wattage Selectable	CCT Selectable	Finish	Voltage	Generation
TPL	22 2 x 2 feet	20W-2660 lm 25W-3350 lm 30W-3810 lm	35K 3500K 4K 4000K 5K 5000K	BLANK White	UNV 120-277V	G2
	14 1 x 4 feet	20W-2760 lm 25W-3250 lm 30W-3910 lm				
	24 2 x 4 feet	35W-4650 lm 40W-5200 lm 46W-5942 lm				

OPTIONS

Individual Control	Surface Mount & Pendant Mount	Emergency Backup & Metal Flexible Conduit
BLANK = No option ANT-1P-4T = PIR Microwave Motion Sensor (Max. 12ft mounting height) ANT-1P-4T-BLE = Bi-level PIR Motion Sensor (Max. 12ft mounting height) RC 100 = Remote Controller	BLANK = No option PLSM14 = 1x4 feet Surface Mount Kit PLSM22 = 2x2 feet Surface Mount Kit PLSM24 = 2x4 feet Surface Mount Kit PLPM14 = 5' Aircraft Cable Pendant Mounting for 1x4 Panel PLPM224 = 5' Aircraft Cable Pendant Mounting for 2x2 / 2x4 Panel TBAR = Emergency Backup Battery T-Bar Mounting Kit	BLANK = No option BLD-EMLY15 = 15W Emergency Backup Battery 120-277V only PRWG-3PIN = 6FT 3/8 inch 3 Pin Metal Flexible Conduit PRWG-5PIN = 6FT 3/8 inch 5 Pin Metal Flexible Conduit PRWG-6PIN = 6FT 3/8 inch 6 Pin Metal Flexible Conduit

SPECIFICATIONS

HOUSING

Light weight aluminum frame housing.

MOUNTING

Surface, recessed, or suspension cable mounting.

ELECTRICAL

Standard 50/60Hz operation with 120/277V input.
Standard 0-10V dimming.

OPTICS

White frosted diffuser

CCT SELECTABLE

Switch selectable
3500K / 4000K / 5000K; 80+ CRI

LUMENS SELECTABLE

Selectable lumen packages ranging from
2,660 - 5,942 lm

LIFESPAN

LED light engines are rated > 75,000 at 25°C, L70

AMBINET TEMPERATURE

Suitable for use in -4°F to 122°F (-20°C to 50°C)

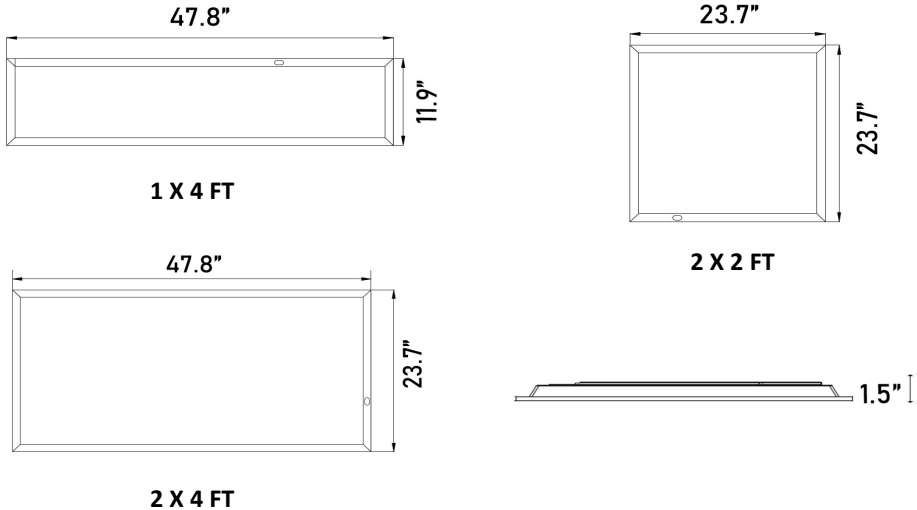
EFFICACY

> 130 lumens per watt.

WARRANTY

5 year limited warranty. Comprehensive warranty terms
can be located on www.orelighting.com

DIMENSIONS



Product	A	B	C
TPL14	47.8"	11.9"	1.5"
TPL22	23.7"	23.7"	1.5"
TPL24	47.8"	23.7"	1.5"

Weight	
TPL14	4.43 lbs
TPL22	5.78 lbs
TPL24	9.22 lbs

ORE LIGHTING

PERFORMANCE DATA

PART NUMBER	WATTAGE	EFFICACY	VOLTAGE	3500K	4000K	5000K
				LUMENS		
TPL 22	20W / 25W / 30W	133 lm/w	120-277V	2660 lm	3350 lm	3810 lm
		134 lm/w				
		131 lm/w				
TPL 14	20W / 25W / 30W	138 lm/w	120-277V	2760 lm	3250 lm	3910 lm
		131 lm/w				
		130 lm/w				
TPL 24	35W / 40W / 46W	133 lm/w	120-277V	4650 lm	5200 lm	5942 lm
		130 lm/w				
		131 lm/w				

ELECTRICAL LOAD

WATTAGE	Current (A)			
	120V	208V	240V	277V
20W	0.17	0.10	0.08	0.07
25W	0.21	0.12	0.10	0.09
30W	0.25	0.14	0.13	0.11
35W	0.29	0.17	0.15	0.13
40W	0.33	0.19	0.17	0.14
46W	0.38	0.22	0.19	0.17

OPTIONS (SOLD SEPARATELY)



EMERGENCY BACK UP BATTERY

BLD-EMLY15
15W Emergency Backup Battery LED Driver



TBAR
Emergency Backup Battery T-Bar Mounting Kit



SURFACE MOUNT KIT

PLSM14
1X4 FT Surface Mount Kit

PLSM22
2X2 FT Surface Mount Kit

PLSM24
2X4 FT Surface Mount Kit



PENDANT MOUNT KIT

PLPM14 = 5' Aircraft Cable Pendant Mounting for 1x4 Panel

PLPM224 = 5' Aircraft Cable Pendant Mounting for 2x2 / 2x4 Panel



ANT-1P-4T

PIR Infrared Motion Sensor
Power supply: 12-24VDC, >50mA
Detection angle: 360°
Mounting height: Max 12ft



ANT-1P-4T-BLE

Bluetooth + PIR Infrared Motion Sensor
Power supply: 12-24VDC, >50mA
Detection angle: 360°
Mounting height: Max 12ft
Wireless Standards: 5.0 Bluetooth Mesh



METAL FLEXIBLE CONDUIT

PRWG-3PIN
6FT 3/8 inch 3 Pin Metal Flexible Conduit

PRWG-5PIN
6FT 3/8 inch 5 Pin Metal Flexible Conduit

PRWG-6PIN
6FT 3/8 inch 6 Pin Metal Flexible Conduit



Please visit orelighting.com to see which products are DLC Listed.

ORE INTERIOR

Houston, Texas

Sales@orelighting.com

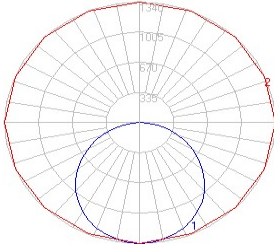
346-874-7955

www.orelighting.com

Note: Information contained herein is subject to change without notice.

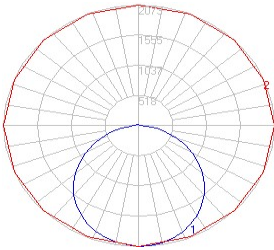
©2023 ORE Lighting INC. All rights reserved

PHOTOMETRIC



TPL 22 20W / 25W / 30W

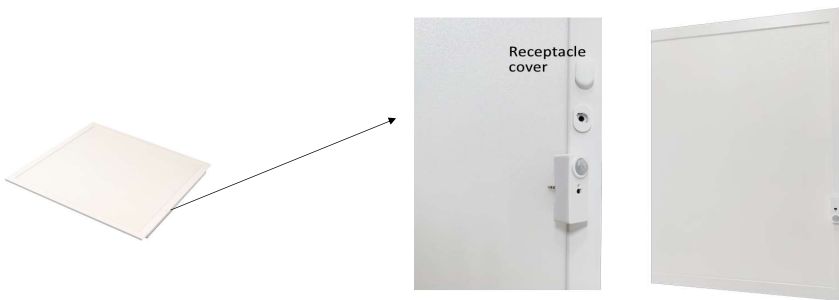
Lumens: 3910 lm
Power: 30W
Efficacy: 131 lm/W
Beam Angle: 113°
Spacing Criterion: 1.29



TPL 24 35W / 40W / 46W

Lumens: 6113 lm
Power: 46W
Efficacy: 131 lm/W
Beam Angle: 113°
Spacing Criterion: 1.30

SENSOR BASED



The sensor receptacle is pre-embedded in the profile frame.

