

Project Name:
Part Number:
Fixture Type
Notes:

TP2 LED T-Grid Linear Light

FEATURES

CCT & CRI

Available in 3500K and 4000K; 80 CRI

AMBINET TEMPERATURE

Suitable for use in 32°F to 104°F (0°C to 40°C)

EFFICACY

10W - 130lm/w 20W - 130lm/w

HOUSING

Anodized and painted aluminum extruded body, steel mounting clips with white PC end caps

MOUNTING

Universal mounting brackets for easy installation to standard width 15/16" or 9/16" T-Bars for most ceiling suspension systems.

DRIVERS

3 pcs 2' LED lights per 30w remote driver; 3 pcs 4' LED lights per 60w remote driver Max distance from fixtures to power supply is 8 feet with 24 AWG wire with RJ45 terminal which makes easy installation and safe wiring

WARRANTY

5 year limited warranty. Comprehensive warranty terms can be located on www.orelighting.com



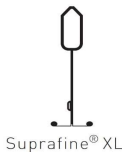
ORDERING INFORMATION

EXAMPLE: TP2 2FT F 10 35K UNV TD2

Series	Length	Grid Type	Wattage	CCT	Finish	Voltage	Driver
TP2	2FT 2 feet	F 9/16"	10	35K 3500K	BLANK White	UNV 120 - 277V	TD2 30W Up to 3 TP2 2ft Luminaires
	4FT 4 feet	Fineline ceiling B 9/16" Bolt slot U 15/16" Standard ceiling	20 10W - 1,300 lm 20 20W - 2,600 lm	4K 4000K			

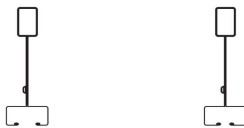
T-GRIDS CEILING COMPATIBILITY

9 / 16"
Fineline Ceiling

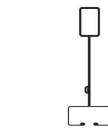


Suprafine® XL

9 / 16"
Bolt slot

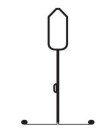


Silhouette® 1/4" XL

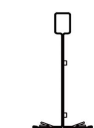


Silhouette® 1/8" XL

15 / 16"
Standard Ceiling



Prelude® XL



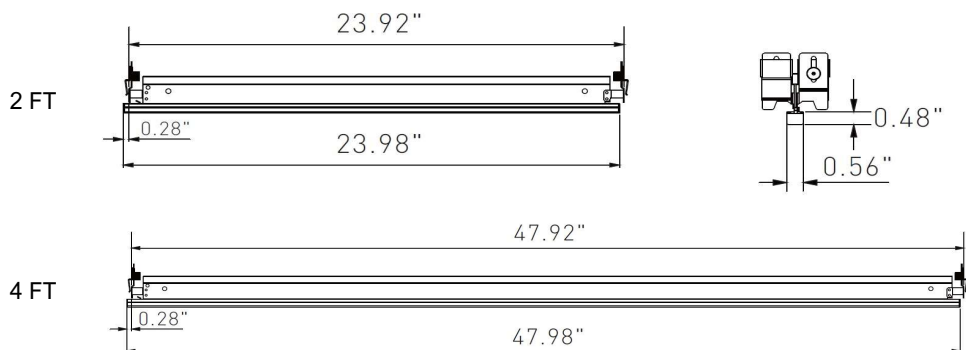
Clean Room



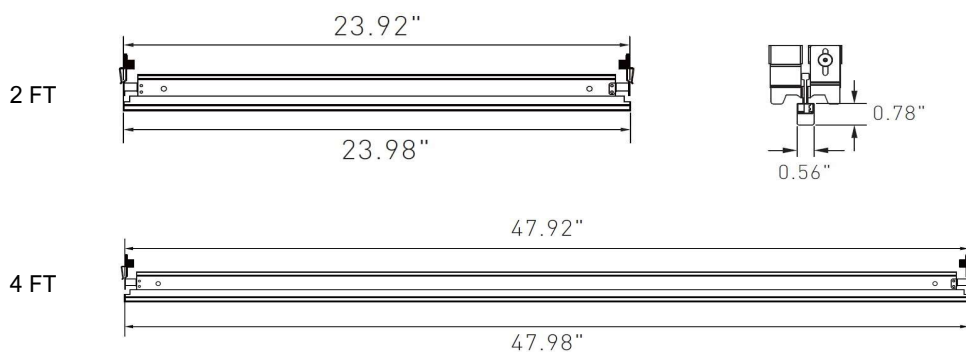
DIMENSIONS

TP2 2FT Length - Weight: 1.4 lbs.
 TP2 4FT Length - Weight: 2.43 lbs.

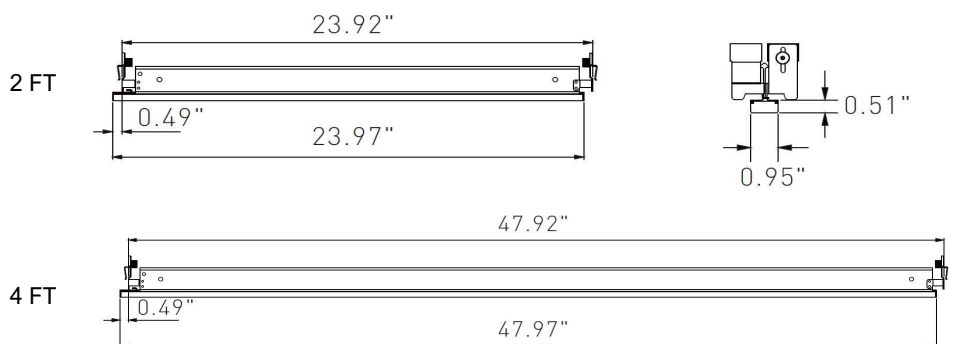
9/16" Fineline Ceiling



9/16" Bolt Slot

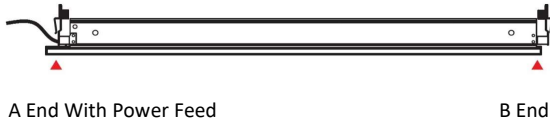


15/16" Standard Ceiling

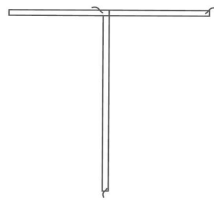


ORE LIGHTING

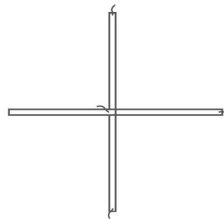
CUSTOM PATTERN



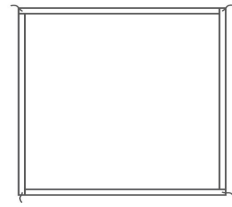
Shape: L



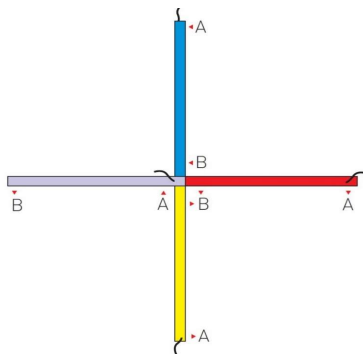
Shape: T



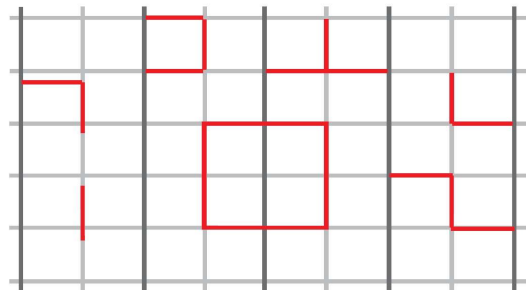
Shape: +



Shape: □



Only one A-end with wire in joint

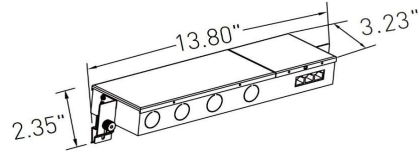


- Examples of configurations
- Possible positions for T-grid LED light modules
- One-piece main runner cannot be replaced

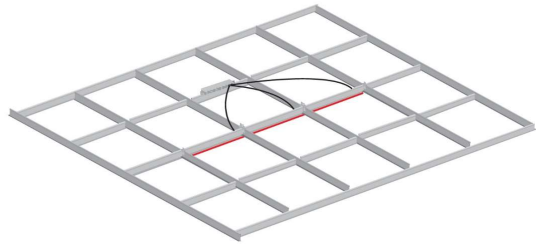


ORE LIGHTING

DRIVER



Supports up to 3 luminaires



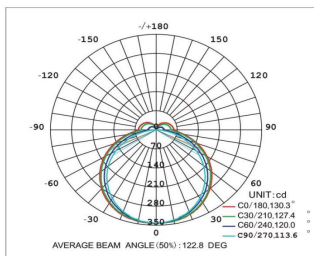
It can be parallel connected up to 6ft (2' fixture) and 12ft (4' fixture) max per power supply. Max distance from fixtures to power supply is 8 feet with 24 AWG cable. RJ45 terminal make easy installation and safe wiring.

ELECTRICAL LOAD

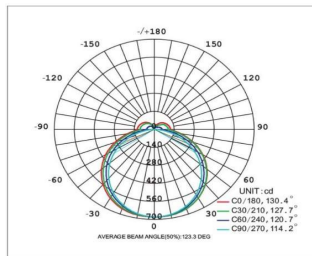
WATTAGE	CURRENT (A)			
	120V	208V	240V	277V
10W	0.08	0.05	0.04	0.04
20W	0.17	0.1	0.08	0.07



PHOTOMETRIC



TP2 10W 4K



TP2 20W 4K