

| |
|---------------|
| Project Name: |
| Part Number: |
| Fixture Type: |
| Notes: |

PT2 LED Tunable Post Top Light

APPLICATIONS

The PT2 Post Top light has 3 CCT and 4 wattages selectable. This elegant luminaire combines a lower pole height and recessed light source for increased visual comfort, reduced glare, and a softer appearance. The light engine maintains a uniform light source while providing a wide and smooth distribution.



Round Shed Light

Glow soft light down.
Type V distributions

UL Listing

Suitable for wet locations

Post Top 45W/70W/87W/130W

Replacement

Replaces 100W MH - 400W MH

ORDERING INFORMATION



EXAMPLE: PT2 T5 45 5K UNV

| Series | Optics | Wattage | CCT Selectable | Finish | Voltage | Options |
|--------|----------------------|--|----------------------------------|----------------------|-----------------|--|
| PT2 | BLANK T5 = Type V | 45 = 45W 70 = 70W 87 = 87W 130 = 130W | 3K 3000K 4K 4000K 5K 5000K | BLANK Dark Bronze | UNV 120-277V | Blank = No Accessories TLR-3P = 3 pin twist lock receptacle PCT01 = twist lock photocell (120/277V) PTANT5-2E Microwave Motion Sensor |

Accessories & Options



TLR-3P



PCT01



PTANT5-2E

Houston, Texas

Sales@orelighting.com

346-874-7955

www.orelighting.com

Note: Information contained herein is subject to change without notice.

©2024 ORE Lighting INC. All rights reserved

ORE LIGHTING

SPECIFICATIONS

DRIVER

One Driver, Constant Current, Class I,
120-277V, 50-60Hz, Power factor 98%

MOUNTING

Pole mount. Slips over a 2 3/8" or 3" tenon
Suitable for heights between 8-20 ft.

LIFESPAN

50,000 – hour LED lifespan based
on IES LM-80 results and TM-21 calculations.

LUMENS SELECTABLE

Selectable lumen packages ranging from
5,400 - 15,800 lm

CCT SELECTABLE

Switch selectable
3000K / 4000K / 5000K; 70+ CRI

EFFICACY

Up to 122 lumens per watt

AMBINET TEMPERATURE

Suitable for use in -40°F to 113°F (-40°C to 45°C)

HOUSING

Die-cast aluminum housing for durability

IP RATING

Ingress Protection rating of IP65 for dust and water

FINISH

Formulated for high-durability and long-lasting color
Dark Bronze / White Polyester Powder coat.

GREEN TECHNOLOGY

Mercury and UV-free. RoHS compliant components.
Polyester powder coat finish formulated without the use of
VOCs or toxic heavy metals

WARRANTY

5 year limited warranty. Comprehensive warranty terms
can be located on www.orelighting.com



Houston, Texas

Sales@orelighting.com

346-874-7955

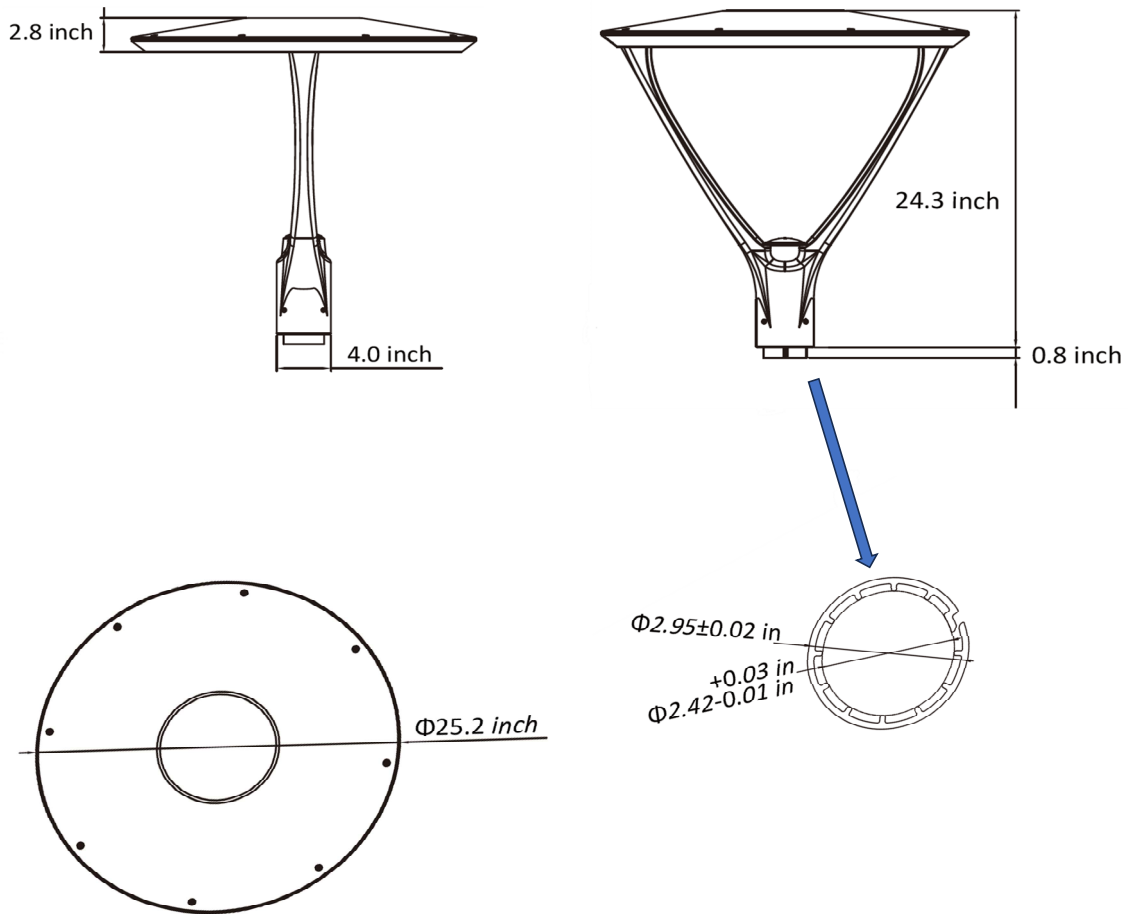
www.orelighting.com

Note: Information contained herein is subject to change without notice.

©2024 ORE Lighting INC. All rights reserved

ORE LIGHTING

DIMENSIONS



| Product | L | W | Weight | EPA |
|----------------------|-------|--------------|----------|------|
| PT2 45W/70W/87W/130W | 24.3" | $\Phi 25.2"$ | 25.6 lbs | 0.96 |

Houston, Texas | Sales@orelighting.com | 346-874-7955 | www.orelighting.com

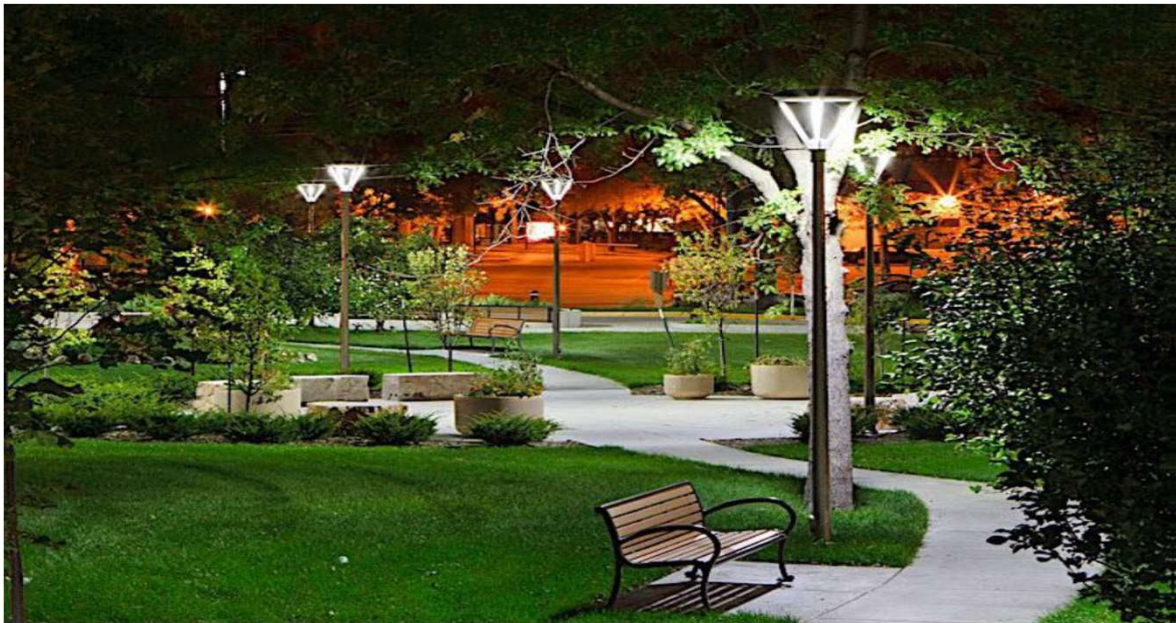
Note: Information contained herein is subject to change without notice.

©2024 ORE Lighting INC. All rights reserved

ORE LIGHTING

PERFORMANCE DATA

| POWER | WATTAGE | VOLTAGE | 3000K | | 4000K | | 5000K | |
|-------|---------|------------|-----------|----------|-----------|----------|-----------|----------|
| | | | LUMENS | LPW | LUMENS | LPW | LUMENS | LPW |
| 40% | 45W | 120 - 277V | 5,400 lm | 120 lm/W | 5,450 lm | 121 lm/W | 5,500 lm | 122 lm/W |
| 60% | 70W | 120 - 277V | 8,500 lm | 120 lm/W | 8,600 lm | 121 lm/W | 8,600 lm | 122 lm/W |
| 80% | 87W | 120 - 277V | 10,500 lm | 121 lm/W | 10,600 lm | 122 lm/W | 10,600 lm | 122 lm/W |
| 100% | 130W | 120 - 277V | 15,600 lm | 122 lm/W | 15,800 lm | 122 lm/W | 15,800 lm | 122 lm/W |



ORE | OUTDOOR

Houston, Texas | Sales@orelighting.com | 346-874-7955 | www.orelighting.com

Note: Information contained herein is subject to change without notice.

©2024 ORE Lighting INC. All rights reserved