

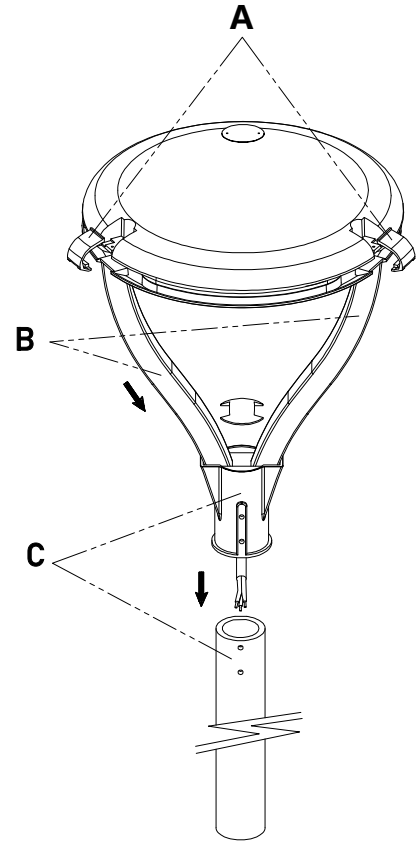
PT LED POST TOP LIGHT

1: Product structure

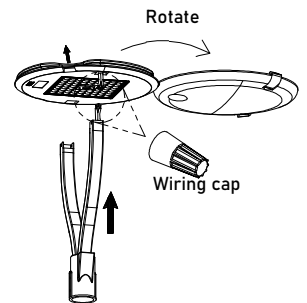
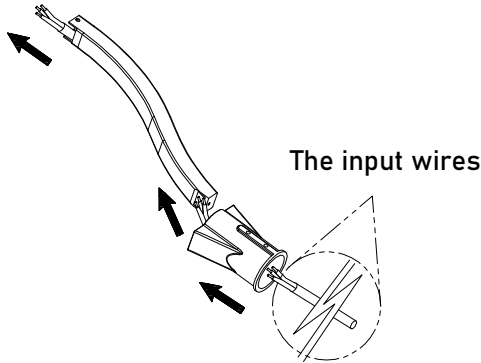
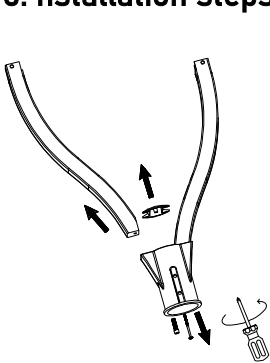
- A. The light body is fixed with buckle
- B. The bracket fixes the entire lamp body
- C. The handle is fixed to the wire pole

2: Precautions before operation

- A: Please read the specifications before use to ensure the standard use environment and conditions.
- B: Before connecting the power supply, make sure that the switch of the product is turned off in all operations to prevent electric shock
- C: Product installation and maintenance, non-professionals are not allowed to operate.



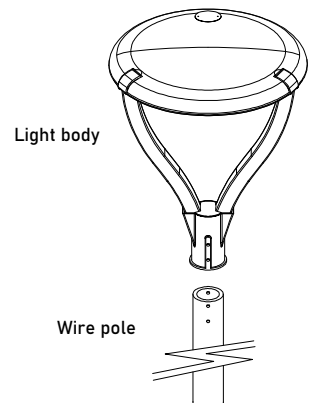
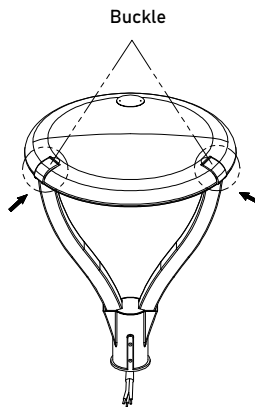
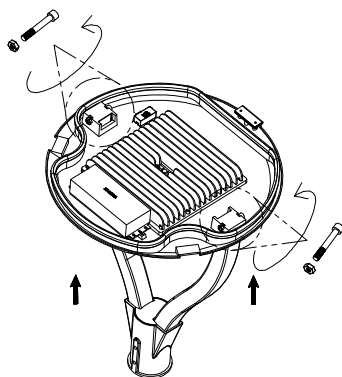
3: Installation steps



A: First remove the handle cover screws, then remove the bracket screws, as shown in the figure, almost completely loosen (Note: only one bracket need be removed).

B: Connect the input wires in the order shown in the figure, and then tighten the screws according to the disassembly sequence shown in the figure A.

C: Loosen the buckle of the light body, rotate the upper cover 180 degrees to the side, then connect the input wires according to the color, and use the wiring cap to rotate and fix it.



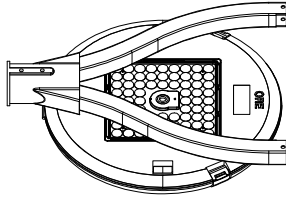
D: The bracket is installed at the designated position of the light body, overlapped with the lower cap of the light body, and then locked with screws (Note that the wiring of the input line is kept smooth, and it is forbidden to have any influence on the wire).

E: The upper cap overlaps the lower cap, then the buckle is fastened.

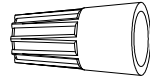
F: As shown in the picture, the light body is fixed to the wire pole, and the installation can be completed by tightening the screw.

PT LED POST TOP LIGHT

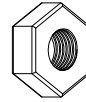
4: Parts included



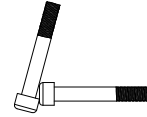
1x1PCS



1x3PCS

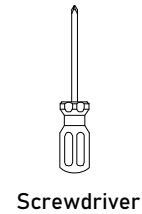
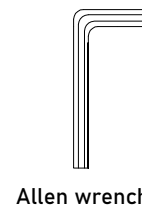
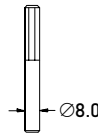
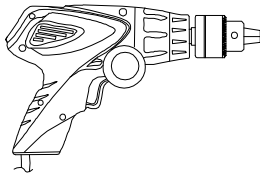


1x4PCS



1x4PCS

5: Tools needed



CAUTION: RISK OF PRODUCT DAMAGE

Never connect components under load.

Do not mount or support these fixtures in a manner that can cut the outer jacket or damage wire insulation.

Unless individual product specifications deem otherwise: Do not restrict fixture ventilation. Allow for some volume of airspace around fixture. Avoid covering LED fixtures with insulation, foam, or other material that will prevent convection or conduction cooling.

LED products are Polarity Sensitive. Ensure proper Polarity before installation.

Electrostatic Discharge (ESD): ESD can damage LED fixtures. Personal grounding equipment must be worn during all installation or servicing of the unit.

Do not touch individual electrical components as this can cause ESD, shorten lamp life, or alter performance.

Always read the fixtures complete installation instructions prior to installation for any additional fixture specific warnings.

Always ensure that the electrical distribution system is up to NEC (and any applicable local code) requirements.

Verify that power distribution system has proper grounding. Lack of proper earth ground can lead to fixture failure and may void warranty.