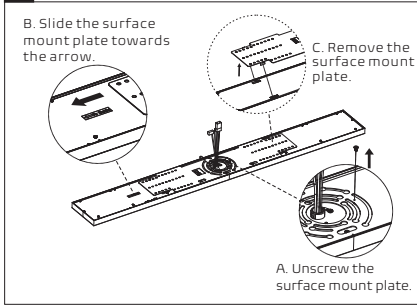
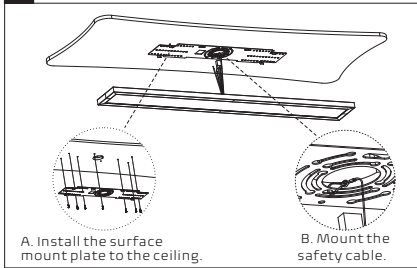


SURFACE INSTALLATION

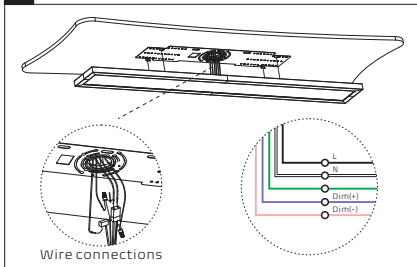
1 Prepare the fixture



2 Attach the surface mount plate

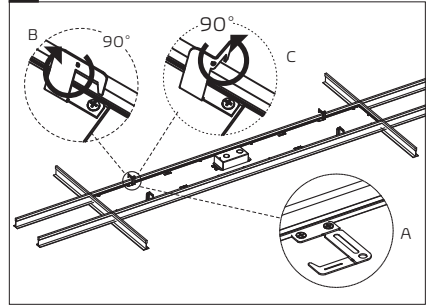


3 Proper wire connections and mount the fixture

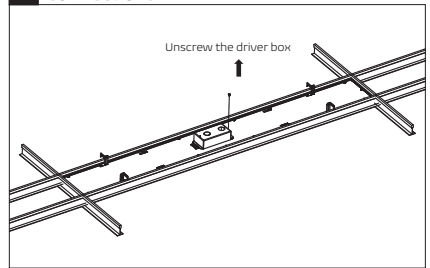


RECESSED INSTALLATION

1 Adjust the fixture angle and bend the clips



2 Remove the driver box and ready for wire connections



3 Proper wire connections

