

Project Name:
Part Number:
Fixture Type
Notes:

GS2 LED Petroleum Canopy Light

APPLICATIONS

The GS2 Series Petroleum Canopy light is the perfect balance of price and performance with increased efficiency. Expanded lumen packages and mounting options make this fixture perfect for a larger range of petroleum, commercial buildings, parking lot structures, gas stations, secure entryways, exterior canopies and many other applications. When replacing up to 400W MH, it can save about 86% of energy. Excellent heat dissipation structure design features and precision optical design provide a good lighting effect with a lifetime of up to 50,000 hours accompanied by excellent optical performance.



UL Listing

Suitable for wet locations

Replacement

Replaces 400W MH

GS2 Petroleum Light 100W / 150W



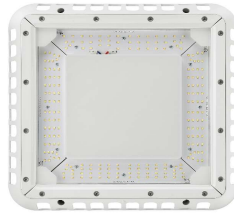
ORDERING INFORMATION

EXAMPLE: GS2 100 5K WT UNV

Series	Power & Wattage Selectable	CCT	Finish	Voltage	Option
GS2	40% = 40W 60% = 60W 80% = 80W 100% = 100W	5K 5000K	WT White	UNV 120-277V	Blank MS-12V Microwave Sensor SPF Spring Fitting
	40% = 60W 60% = 90W 80% = 120W 100% = 150W				

ADJUSTABLE LUMEN DATA

POWER	100W	150W
	WATTS & LUMENS	WATTS & LUMENS
100%	100W - 15,000 lm	150W - 23,000 lm
80%	80W - 12,300 lm	120W - 19,000 lm
60%	60W - 9,600 lm	90W - 14,800 lm
40%	40W - 6,700 lm	60W - 10,200 lm



ORE LIGHTING

SPECIFICATIONS

DRIVER

One Driver, Constant Current, Class I,
120-277V, 50-60Hz, Power Factor> 90%,
THD<20%

OPTICS

Tempered glass lens is designed for excellent
light output and uniformity.

LIFESPAN

50,000 – hour LED lifespan based
on IES LM-80 results and TM-21 calculations.

LUMENS SELECTABLE

Selectable lumen packages ranging from
6,700 - 23,000 lm

COLOR TEMP & CRI

5000K (Cool), above 70+ CRI

EFFICACY

Up to 166 lumens per watt

AMBINET TEMPERATURE

Suitable for use in -40°F to 122°F (-40°C to 50°C)

HOUSING

Die-cast aluminum housing secures the thermally conductive
LED panel and electrical chamber

CERTIFICATIONS

UL wet location listed.

FINISH

Formulated for high-durability and long-lasting color

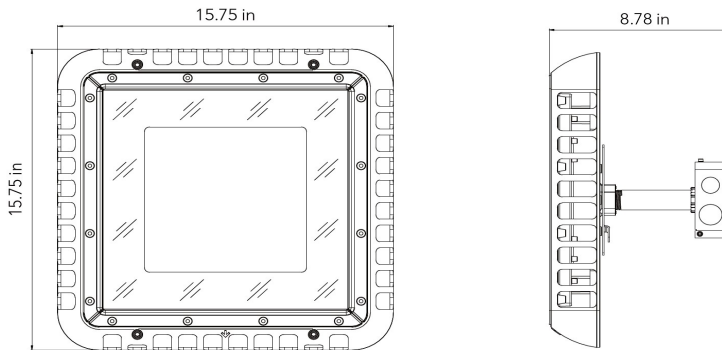
GREEN TECHNOLOGY

Mercury and UV-free. RoHS compliant components.
Polyester powder coat finish formulated without the use of
VOCs or toxic heavy metals

WARRANTY

5 year limited warranty. Comprehensive warranty terms
can be located on www.orelighting.com

DIMENSIONS



Product	L	W	H	Weight
GS2 100W	15.75"	15.75"	8.78"	10.91 lbs
GS2 150W	15.75"	15.75"	8.78"	10.91 lbs

ACCESSORIES (Optional)



Spring fitting



Microwave motion sensor