

NOTE

Please read this entire manual to fully understand and safely use this product.

1. Unpack and carefully examine the product.
2. Report any damage and save all packing materials if any part(s) were damaged during shipping.
3. Do not attempt to use this apparatus if it is damaged.

IMPORTANT SAFETY INFORMATION



CAUTION: RISK OF ELECTRIC SHOCK

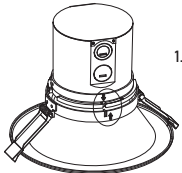
Suitable for damp location. Access above ceiling required. Suitable for suspended ceilings.

READ ALL INSTRUCTIONS BEFORE INSTALLATION

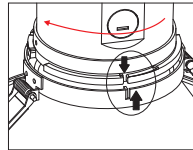
1. Consult a qualified electrician to ensure correct branch circuit conductor.
2. The product should be installed and operated by a qualified electrician or technician in accordance with relevant local codes.
3. Risk of electric shock. Ensure that main power source is off when wiring or soldering the sections of the product.
4. Before installing this fixture or doing any maintenance, make sure to turn off the power supply at the circuit breaker or fuse box.
5. Check to make sure that all fixture connections have been properly made and the fixture is grounded to avoid potential electrical shocks.
6. Designed for use in AC 120-347V, 50/60Hz, 0-10V dimming, protected circuit.

PRE-INSTALLATION

Combine the LED engine and trim together if they are separate.



1. Match the slot of LED engine and trim according to the direction of arrows as shown.



2. Turn clockwise until it is tightened.

Optional LED Engines



20W



40W

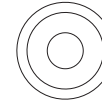
Optional Trims



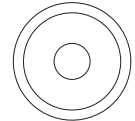
4" Round



6" Round



8" Round



10" Round



4" Round Wall Wash



6" Round Wall Wash



4" Square



6" Square

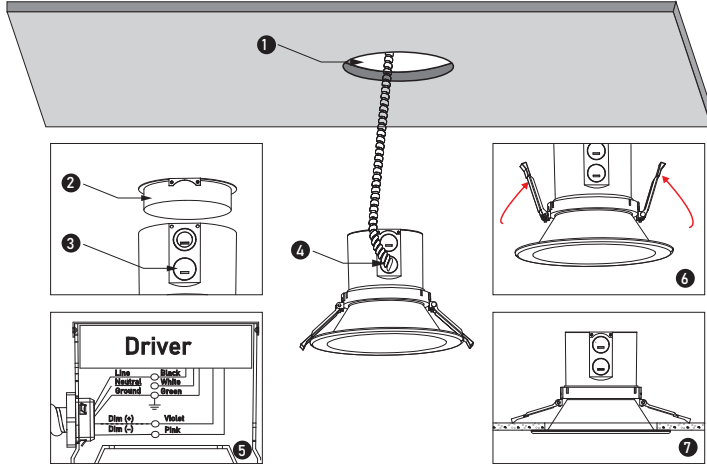


4" Square Wall Wash



6" Square Wall Wash

INSTALLATION



Trim Type	Recommended Hole Size
4 inch round	4.7"min. to 5.2" max.
4 inch round wall wash	5.3"min. to 6" max.
4 inch square	5.3"min. to 6" max.
4 inch square wall wash	5.3"min. to 6" max.
6 inch round	6"min. to 7.3" max.
6 inch round wall wash	6"min. to 7.3" max.
6 inch square	6"min. to 7.3" max.
6 inch square wall wash	6"min. to 7.3" max.
8 inch round	7.4"min. to 8.9" max.
10 inch round	9.5"min. to 10.8" max.

Table 1

Step 1

Drill hole in the ceiling according to the trim size(See Table 1)

Step 2

Open the cover of LED engine according to the direction of arrow.

Step 3

Remove appropriate knockout(s) for power supply wiring.

Step 4

Bring power supply wires into the junction box using a conduit fitting

Step 5

- Connect the line to the black wire, neutral to the white wire and ground wire to the green wire with the supplied quick disconnect.

Note: Compatible with 0-10V dimmer If need dimming. The driver VIOLET (D+) to the dimmer+(VIOLET), and the driver PINK(D-) to the dimmer-(PINK) with the supplied nuts.

- Tuck all wires and wire nuts into the fixture junction box.
- Close the cover according to the direction of arrow.

Step 6

Tighten up the spring to mount the LED downlight onto the ceiling,then adjust the position and complete installation.

Optional Function:

Use the wattage and CCT dip-switch (if equipped) to adjust the fixture to the desired wattage level and CCT. Refer to label on top of driver for each setting.