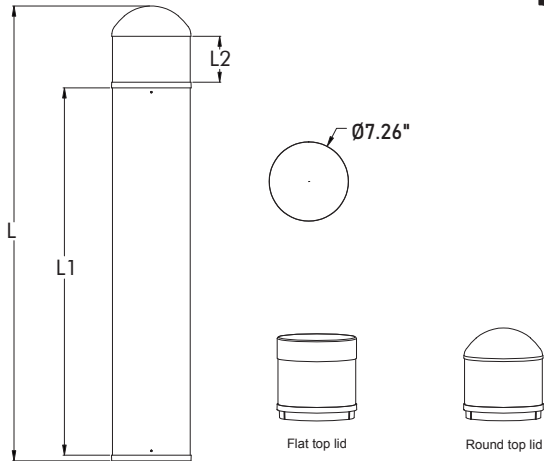
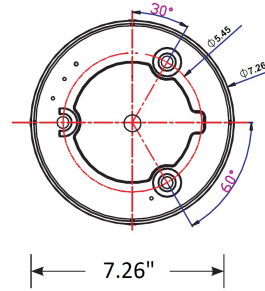


1. Product Size:

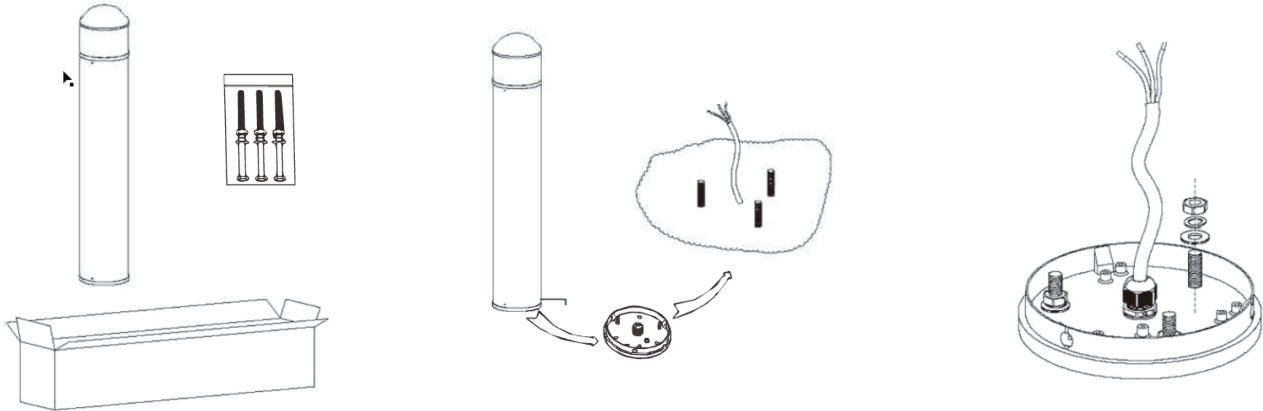
BL - Tunable Bollard Light



	Diameter	L	L1	L2
Dimension	Ø7.26"	41.45"	33.50"	4.72"



2. Surface mounting procedure:

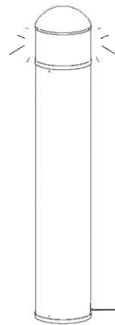
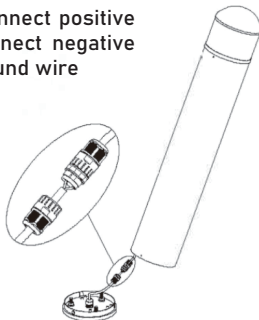


1. Open the package, there is a whole lamp and a Screw accessories package inside; As shown in the picture above:

2. Disassemble the base of the lamp and use the holes of the base to locate the accurate position of the three tooth rods; As shown in the picture above:

3. After the tooth rod is fixed, fix the base with screws, and tighten the wire through the waterproof connector; As shown in the picture above:

" L " Connect positive
 " N " Connect negative
 Ⓧ Ground wire



4. Through the waterproof connector on the power supply, connect the wire as required and tighten it; As shown in the picture above:

5. Lay the lamp, lock the set screw, the installation is completed, the lamp can work normally; As shown in the picture above:

Notice

Danger: Always disconnect power before wiring, or maintenance. Fixture must be installed by a qualified electrician. Do not install in locations where water collects and/or stands for prolonged periods of time. Fixture must always be installed according to local and national electrical codes, rules & regulations. Fixture must be installed on a circuit protected by Ground Fault Circuit Interrupter (GFCI).

Warning: The joint **MUST** be sealed between the mounting surface (e.g., wall, ground, ceiling, etc.) and the fixture with an appropriate sealing /caulking compound to provide a watertight seal. Seal all conduit opening(s) and opening(s) from water entry. Before service ensure fixture is cool to touch. Always ensure that all gaskets and sealing surfaces are free of dirt and debris