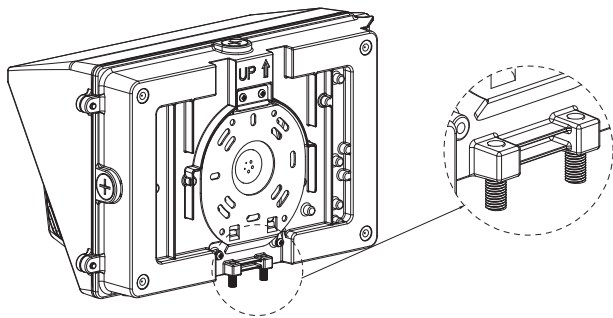


## WPL2 LED Wall Pack Light

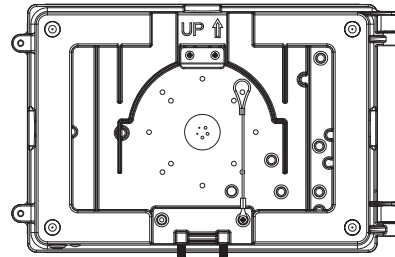
### WARNING

1. To avoid electric shock, disconnect power at source prior to installation.
2. The installation should be performed by qualified electricians or lighting technicians.
3. Before conducting any installation, maintenance, or removal, disable all power to the luminaires and wait until the fixture cool down.
4. Do not touch the fixture while it is in service.
5. Unless individual product specifications deem otherwise: Do not exceed fixtures maximum ambient temperature(-40°c to 40°c).
6. Keep combustible and other materials that can burn, away from lamp/lens.
7. If there is any problem with the fixture, DO turn off power and DO NOT attempt repair unless you are a qualified technician or the customer service member.
8. Make all electrical and grounded connections in accordance with the National Electrical Code (NEC) and any applicable local code requirements.
9. Wear gloves and safety glasses at all times when removing luminaire from carton, installing, servicing or performing maintenance.
10. Avoid direct eye exposure to the light source while it is on.
11. This product is not available for several special environments, such as places with corrosive gas liquids or high pressure water vapor.

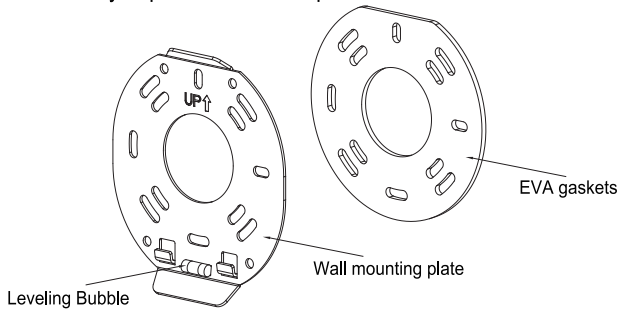
1. Loosen two M6\*20-SS screws until they level with the steps and remove the wall mounting plate.



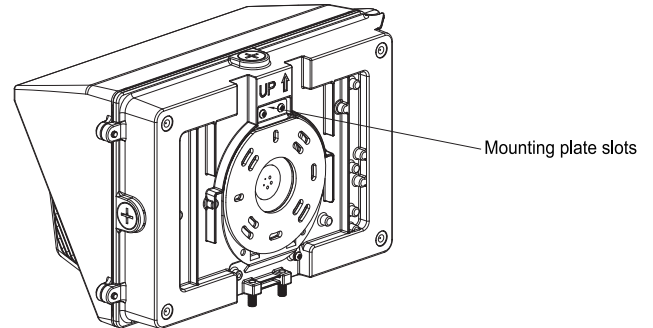
5. Lift the lamp and arrange the anti-falling wire rope to avoid being exposed to the fixture or obstructing the installation.



2. Stick EVA gaskets on the back of the wall mounting plate properly, which is very important for water proof.

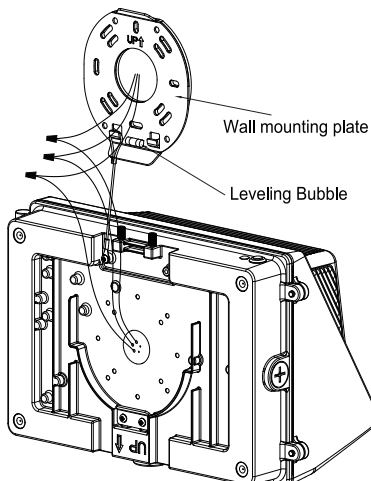


6. Fix the fixture to the wall mounting plate, make sure that the wires are not pulled or pinched. Tighten the two M6\*20-SS screws.



3. Fix the wall mounting plate on the junction box according to the upwards arrow pointing. Note that the wall mounting plate must be leveled before tightening the screws.

4. Hang the fixture on the wall mounting plate with a wire rope, and pay attention to protect the surface of the fixture during installation to prevent scratches and damage to the surface. Ensure the line voltage at the fixture is correct, make all necessary wiring connections, and push all the wires and wire nuts into Junction box.

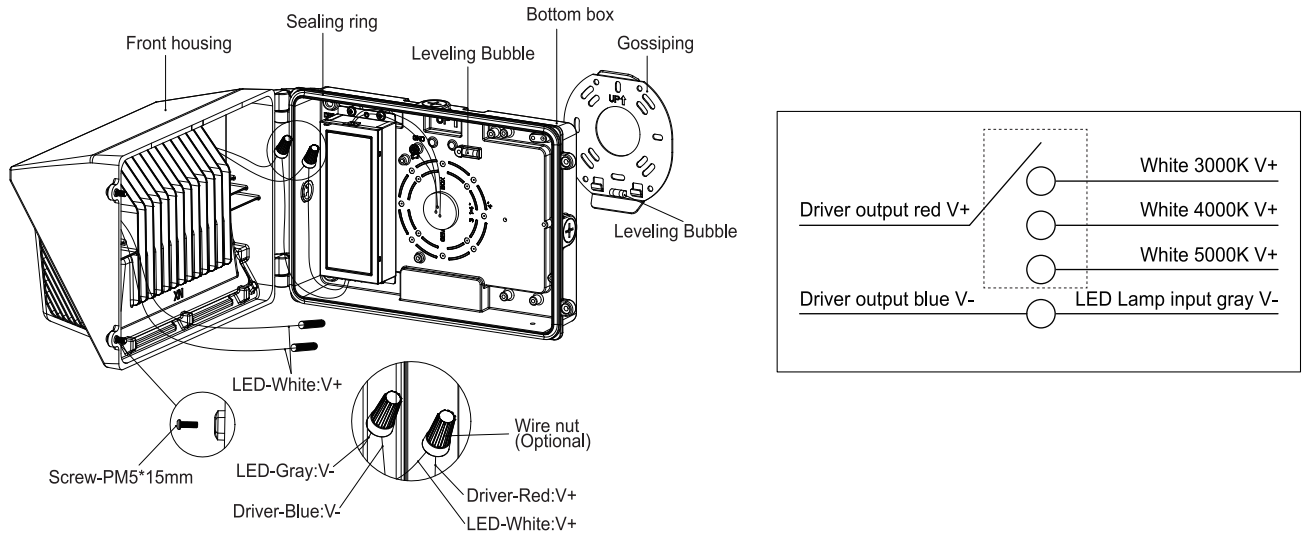


**Note:** To ensure waterproof seal, apply weatherproof silicone sealant around the edge of the wall mounting box and /or junction box. This is especially important with an uneven wall surface. Silicone all plugs and unused conduit entries.

## WPL2 LED Wall Pack Light

### CCT Setting instructions(Option)

1. Loosen the two PM5x15 screws on the side of the fixture, open the front cover of the housing and connect the LED input white wire with the corresponding color temperature to the power output red wire in the needs of actual application requirements. See the specific wiring figure below:



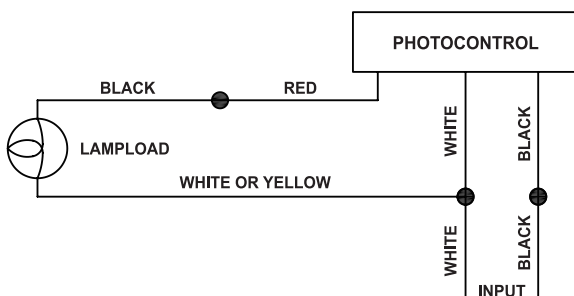
2. Make sure that all wires are securely connected and that there are no exposed conductors. Cover the fixture, (Make sure wires do not get pinched) then tighten the screws.

**Caution:** All electrical work must conform to the National Electric Code (NEC) and all applicable local codes and ordinances.

### PHOTOCELL INSTALLATION

Universal voltage driver permits operation at 60 Hz except fixtures factory ordered with a 120-277VAC (P0) or 347VAC photocell (P3).

1. Install photocell and wire as per diagram.
2. Use photocell rated for your supply voltage.



### TROUBLESHOOTING

1. Check that the line voltage at the fixture is correct. Refer to wiring directions.
2. Is the fixture grounded properly.
3. Be sure the photocell, if used, is functioning properly.

### WIRING DIAGRAM

For 1-10V dimming version, please check wiring diagram below.

