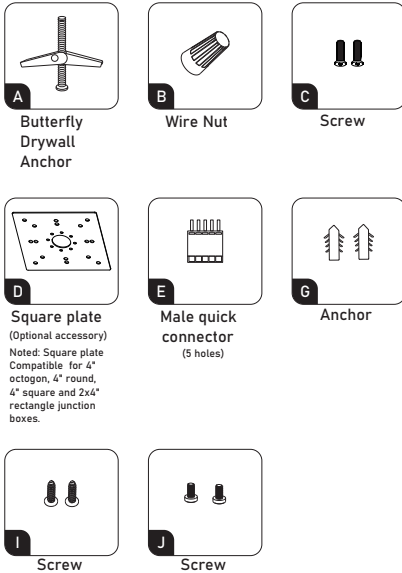


VALA M2 2.3" Surface Linear Light

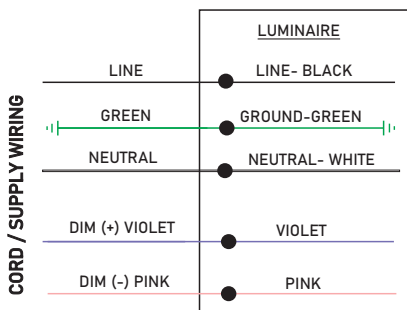
IMPORTANT

1. Read all instructions.
2. Install in accordance with national and local electrical code regulations.
3. This product is intended to be installed and serviced by a qualified, licensed electrician.
4. Do not install in wet locations. For dry and damp use only.
5. Turn off electrical power before installing or servicing fixture in any way.
6. To reduce the risk of fire and overheating, make sure all connections are tight.
7. Under no circumstances can the lighting fixture be covered with heat insulation gasket or similar materials.
8. The maximum connection of each input line is 40FT(1200CM) in 120AC, 80FT (2400CM) in 230AC, 100FT(3000CM) in 277AC.

ACCESSORY



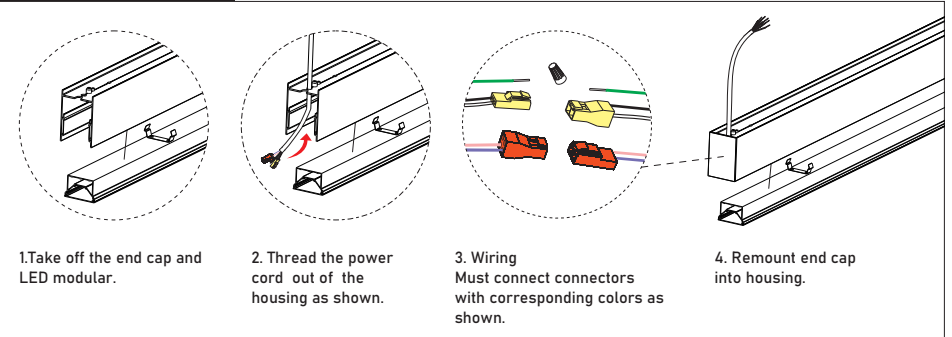
WIRING



! Please isolate two dimming wires by P2 terminal individually if no need dimming; **MUST connect wires with corresponding colors as shown.**

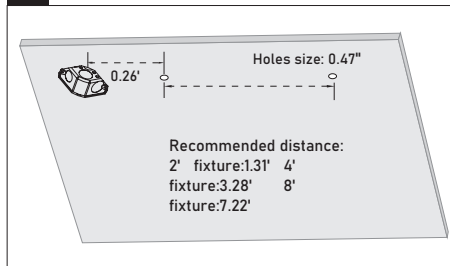
PRE-INSTALLATION

Assemble Power Cord

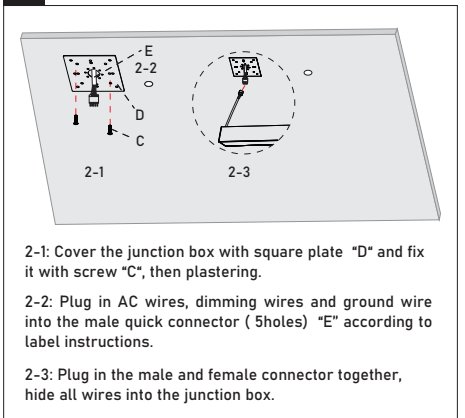


INDEPENDENT INSTALLATION

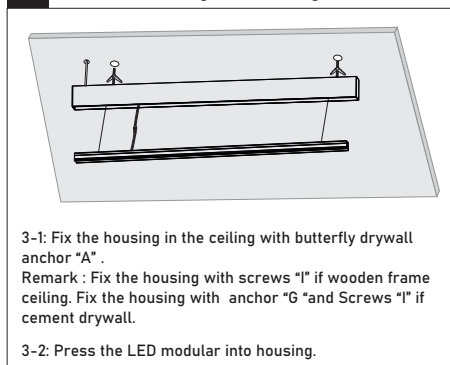
1 Prepare mounting point in the ceiling



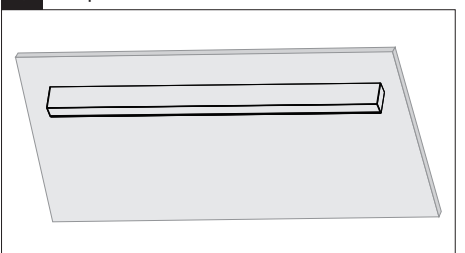
2 Mount plate and wiring



3 Screw the housing in the ceiling

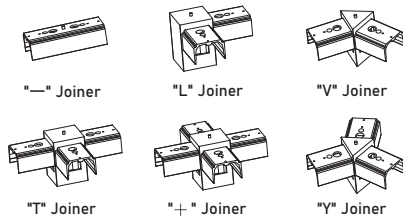


4 Complete



VALA M2 2.3" Surface Linear Light

JOINER OPTIONS



Noted: It needs 2 inputs if using joiner "T", " " and "+".

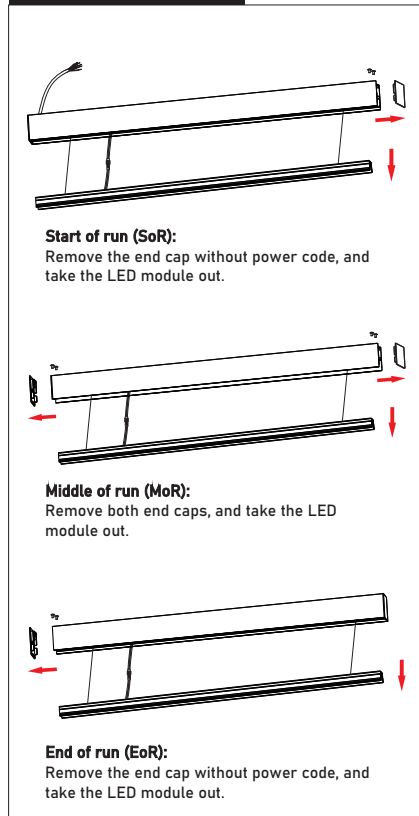
ACCESSORY



Noted: Silicone Seal is used to seal seams that may appear at both ends of luminaires when multiple connections.

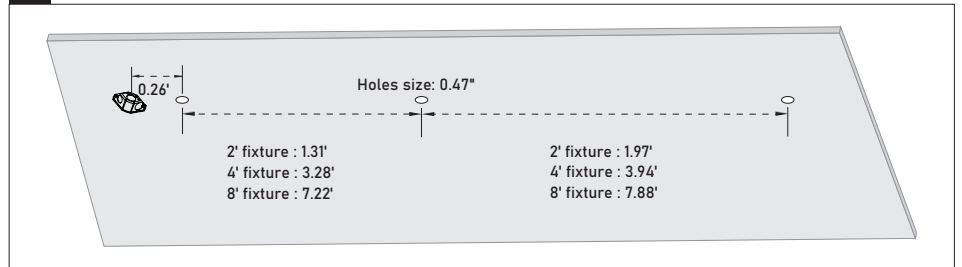
BEFORE CONNECTING

Disassemble Luminaires

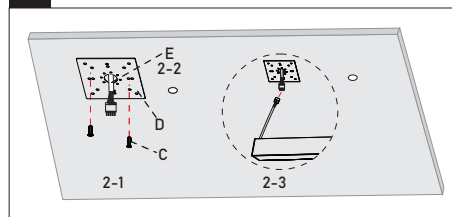


LINE CONNECTION

1 Prepare mounting point in the ceiling



2 Mount plate and wiring

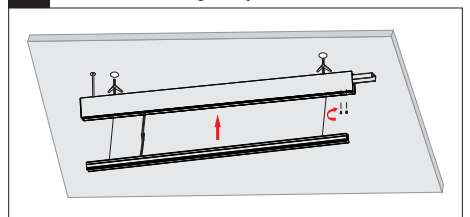


2-1: Cover the junction box with square plate "D" and fix it with screw "C", then plastering.

2-2: Plug in AC wires, dimming wires and ground wire into the male quick connector (5holes) "E" according to label instructions.

2-3: Plug in the male and female connector together, hide all wires into the junction box.

3 Install the housing and joiner - SoR

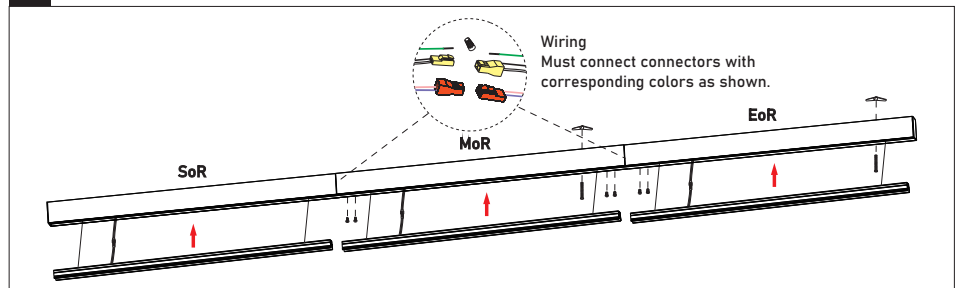


3-1: Fix the housing in the ceiling with butterfly drywall anchor "A".

Remark : Fix the housing with screws "I" if wooden frame ceiling. Fix the housing with Anchor "G" and Screws "I" if cement drywall.

3-2: Insert the joiner "—" into the SoR housing and fix it by screws.

4 Repeat install and join steps-MoR to EoR



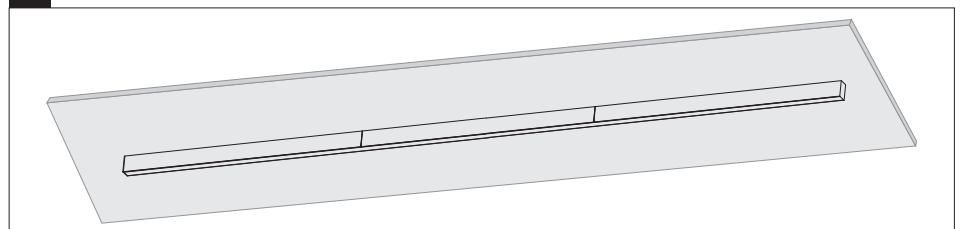
4-1: Fix the housing in the ceiling in turn.

4-2: Insert the joiner "—" into the housing and fix it by screws in turn.

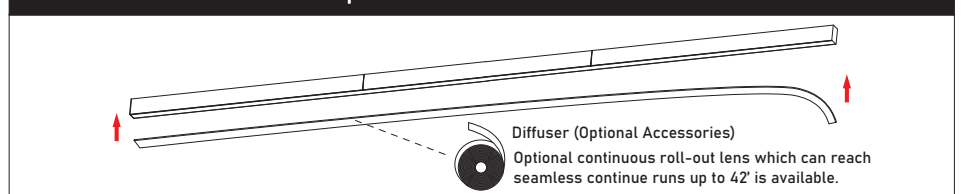
4-3: Connect the quick connectors properly.

4-4: Insert all the led modules into the housing from SoR to EoR in turn.

5 Complete



Optional 42' Diffuser Lens Roll

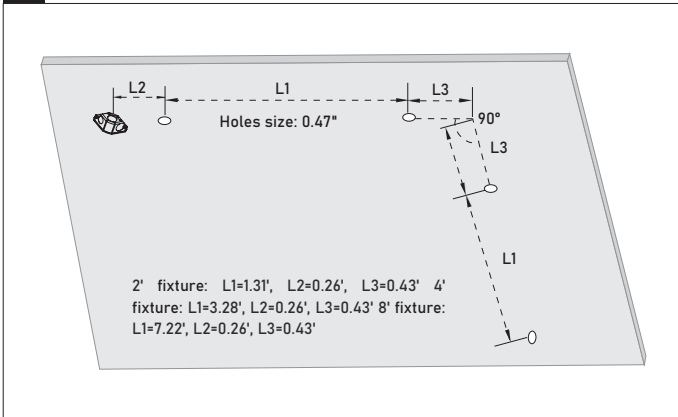


VALA M2 2.3" Surface Linear Light

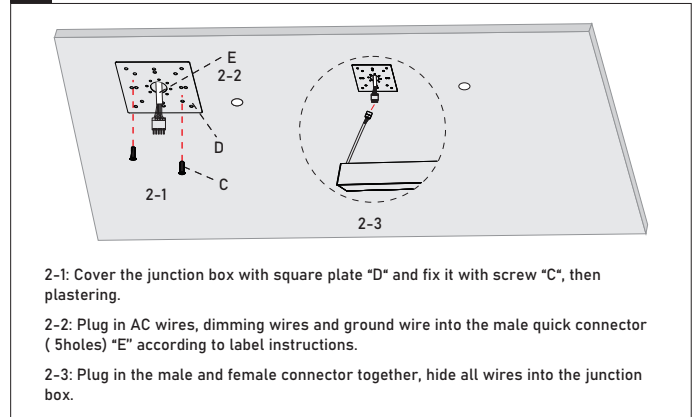
L SHAPE CONNECTION

- ▲ For "T", " + ", "Y" shape or other geometric shapes, all subject to the "L" shape installation
- ▲ It needs 2 inputs if using joiner "T", " " and "+Y".

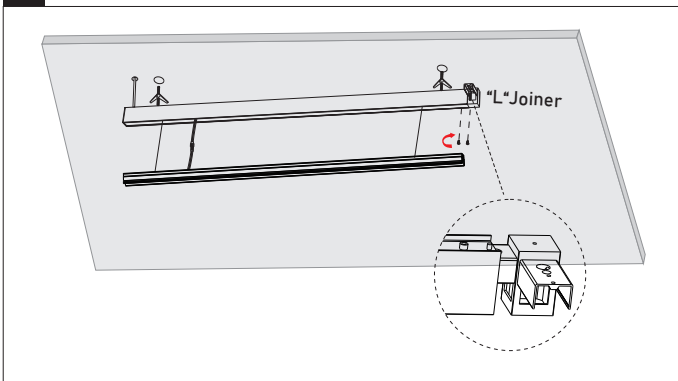
1 Make hole in the ceiling



2 Mount plate and wiring



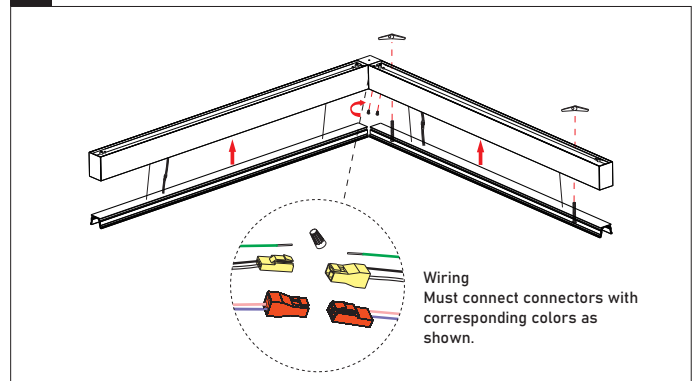
3 Install the housing and joiner – SoR



3-1: Fix the housing in the ceiling with butterfly drywall anchor "A" Remark : Fix the housing with screws "I" if wooden frame ceiling. Fix the housing with Anchor "G" and Screws "I" if cement drywall.

3-2: Insert the joiner "L" into the SoR housing and fix it by screws.

4



4-1: Fix the housing in the ceiling in turn.

4-2: Insert the joiner "L" into the housing and fix it by screws in turn. 4-3: Connect the quick connectors properly.

4-4: Insert all the LED modules into the housing from SoR to EoR in turn.

5 Complete

