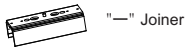


⚠ RISK OF FIRE AND ELECTRICAL SHOCK. FIXTURE MUST BE INSTALLED BY A QUALIFIED ELECTRICIAN ONLY IN ACCORDANCE WITH NATIONAL, LOCAL BUILDING AND ELECTRICAL CODES. DISCONNECT POWER AT ELECTRICAL PANEL BEFORE SERVICING.

ACCESSORY



1.3" Joiner



Silicone Seal

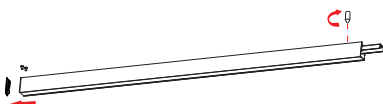
Noted: Silicone Seal is used to seal seams that may appear at both ends of luminaires when multiple connections.

BEFORE CONNECTING

Disassemble luminaires



Start of run (SoR): Remove the end cap without power code, insert the joiner and fix it with screw.



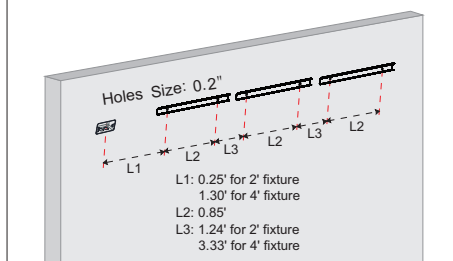
Middle of run (MoR): Remove both end caps, insert the joiner and fix it with screw.



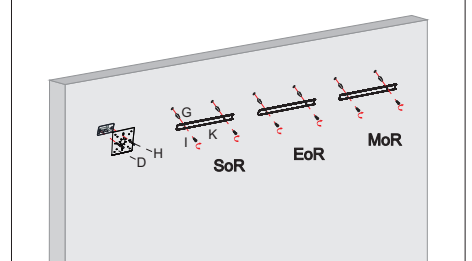
End of run (EoR): Remove the end cap with power code, insert the joiner and fix it with screw.

MULTIPLE LUMINAIRES CONNECTION

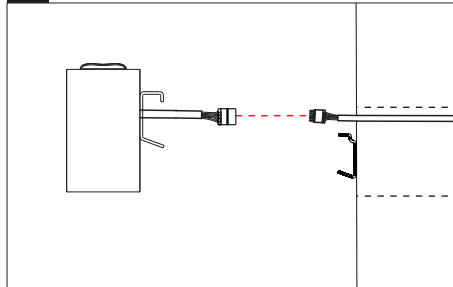
1 Install mounting point on wall



2 Install plate and bracket from SoR to EoR



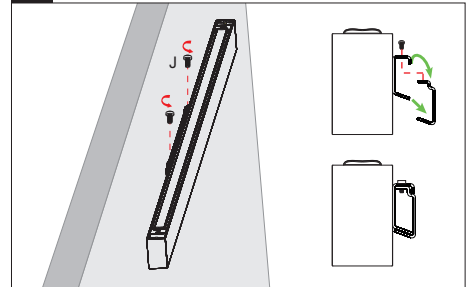
3 Wiring – SoR



3-1: Plug in AC wires, dimming wires and ground wire into the male quick connector (5 holes) "E" according to label instructions.

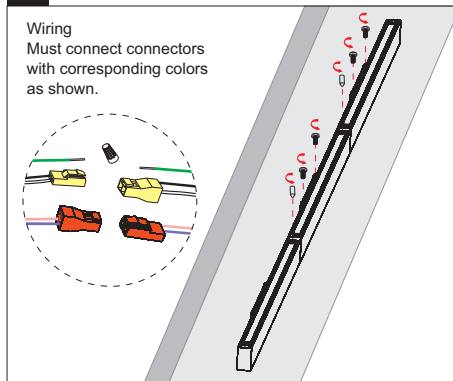
3-2: Plug in the male and female connector together, hide all wires into the junction box.

4 Mounting



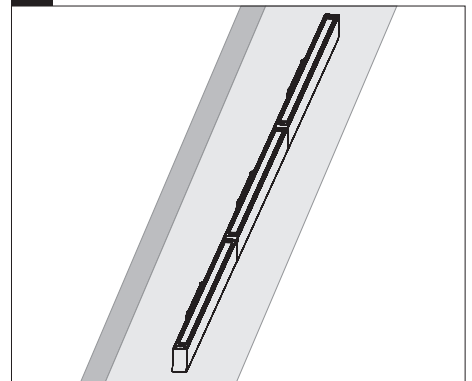
Match the hole position of the fixture and "wall mounting bracket", and mount the fixture onto wall with screw "J".

5 Repeat instal and join steps - MoR to EoR

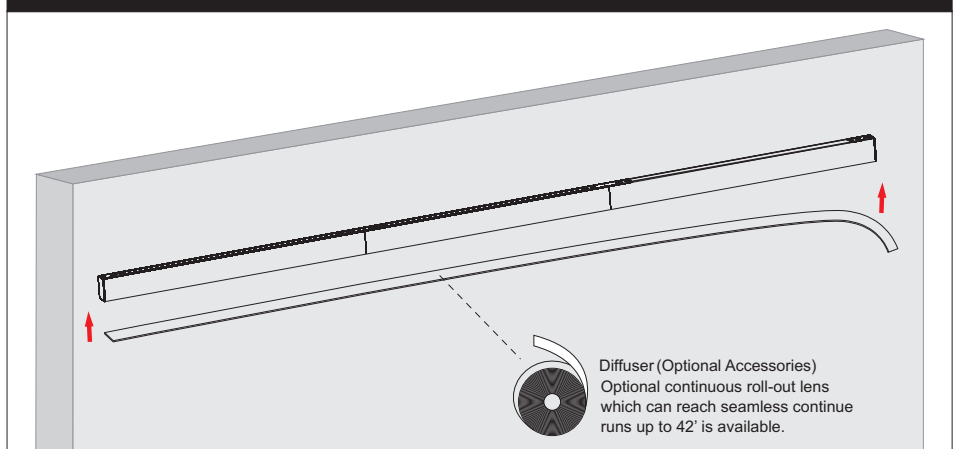


Wiring
Must connect connectors with corresponding colors as shown.

6 Complete



Optional 42' Diffuser Lens Roll



Diffuser (Optional Accessories)
Optional continuous roll-out lens which can reach seamless continuous runs up to 42' is available.