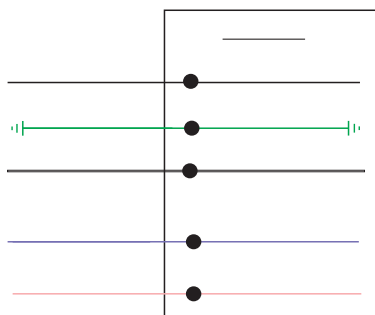
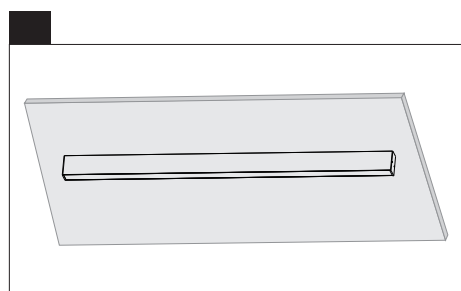
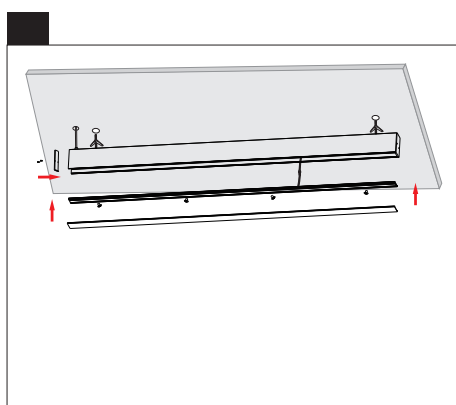
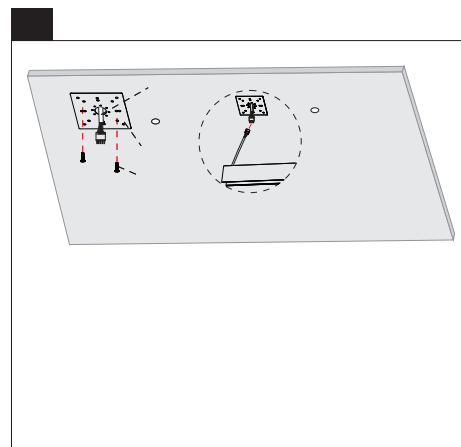
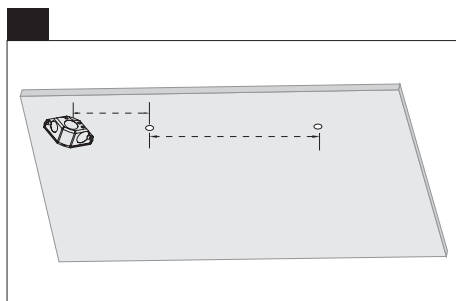
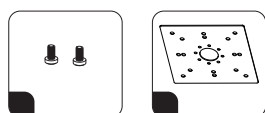
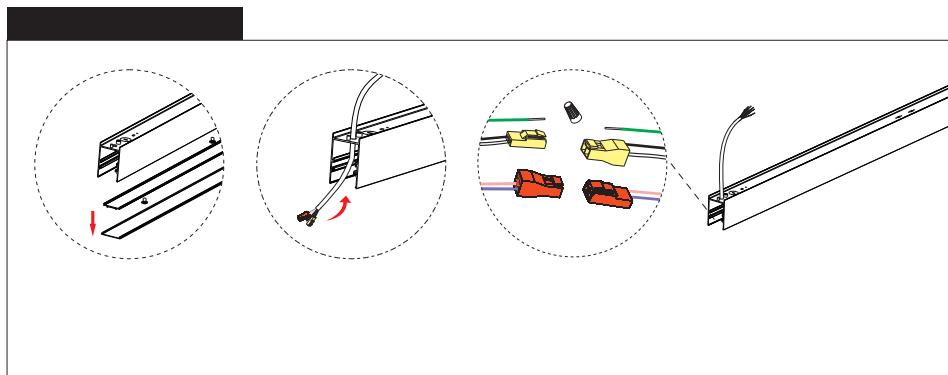


ORE LIGHTING

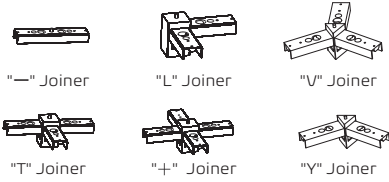


1.3" SURFACE LED

ARCHITECTURAL LED LUMINAIRE MULTIPLE LUMINAIRES CONNECTION

⚠ RISK OF FIRE AND ELECTRICAL SHOCK. FIXTURE MUST BE INSTALLED BY A QUALIFIED ELECTRICIAN ONLY IN ACCORDANCE WITH NATIONAL, LOCAL BUILDING AND ELECTRICAL CODES. DISCONNECT POWER AT ELECTRICAL PANEL BEFORE SERVICING.

JOINER OPTIONS



Noted: It needs 2 inputs if using joiner "T", "+ " and "Y".

ACCESSORY



Noted: Silicone Seal is used to seal seams that may appear at both ends of luminaires when multiple connections.

BEFORE CONNECTING

Disassemble Luminaires

Start of run (SoR):
Remove the end cap without power code, and take the LED module out.

Middle of run (MoR):
Remove both end caps, and take the LED module out.

End of run (EoR):
Remove the end cap without power code, and take the LED module out.

LINE CONNECTION

1 Prepare mounting point in the ceiling

Holes size: 0.47"

2' fixture: 1.5'
4' fixture: 3.6'
8' fixture: 7.78'

2' fixture: 2.09'
4' fixture: 4.19'
8' fixture: 8.37'

2 Mount plate and wiring

2-1: Cover the junction box with square plate "D" and fix it with screw "C", then plastering.

2-2: Plug in AC wires, dimming wires and ground wire into the male quick connector (5holes) "E" according to label instructions.

2-3: Plug in the male and female connector together, hide all wires into the junction box.

3 Install the housing and joiner – SoR

3-1: Fix the housing in the ceiling with butterfly drywall anchor "A".
Remark: Fix the housing with screws "I" if wooden frame ceiling. Fix the housing with Anchor "G" and Screws "I" if cement drywall.

3-2: Insert the joiner "—" into the SoR housing and fix it by screws.

2-1: Cover the junction box with square plate "D" and fix it with screw "C", then plastering.

2-2: Plug in AC wires, dimming wires and ground wire into the male quick connector (5holes) "E" according to label instructions.

2-3: Plug in the male and female connector together, hide all wires into the junction box.

3-1: Fix the housing in the ceiling with butterfly drywall anchor "A".
Remark: Fix the housing with screws "I" if wooden frame ceiling. Fix the housing with Anchor "G" and Screws "I" if cement drywall.

3-2: Insert the joiner "—" into the SoR housing and fix it by screws.

4 Repeat install and join steps—MoR to EoR

Wiring
Must connect connectors with corresponding colors as shown.

4-1: Fix the housing in the ceiling in turn.
4-2: Insert the joiner "—" into the housing and fix it by screws in turn.
4-3: Connect the quick connectors properly.
4-4: Insert all the LED modules into the housing from SoR to EoR in turn.

5 Complete

Optional 42' Diffuser Lens Roll

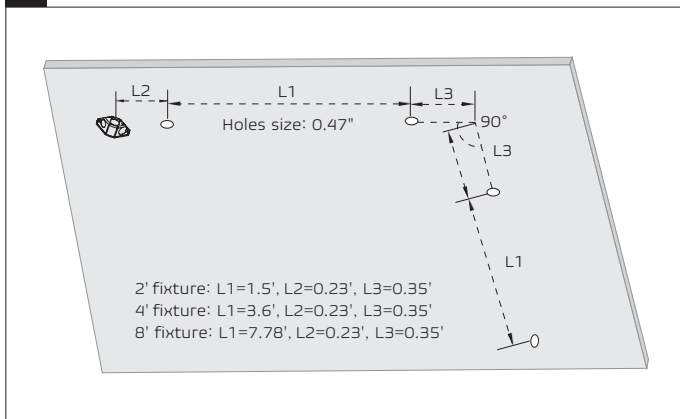
Diffuser (Optional Accessories)
Optional continuous roll-out lens which can reach seamless continue runs up to 42' is available.

⚠ RISK OF FIRE AND ELECTRICAL SHOCK. FIXTURE MUST BE INSTALLED BY A QUALIFIED ELECTRICIAN ONLY IN ACCORDANCE WITH NATIONAL, LOCAL BUILDING AND ELECTRICAL CODES. DISCONNECT POWER AT ELECTRICAL PANEL BEFORE SERVICING.

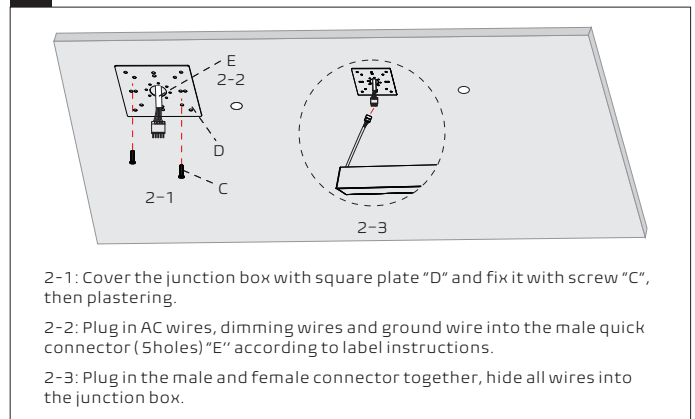
L SHAPE CONNECTION

- ▲ For "T", "+", "Y" shape or other geometric shapes, all subject to the "L" shape installation
- ▲ It needs 2 inputs if using joiner "T", "+" and "Y".

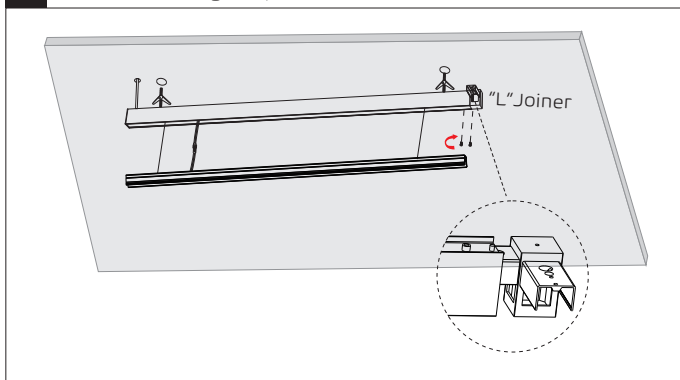
1 Make hole in the ceiling



2 Mount plate and wiring

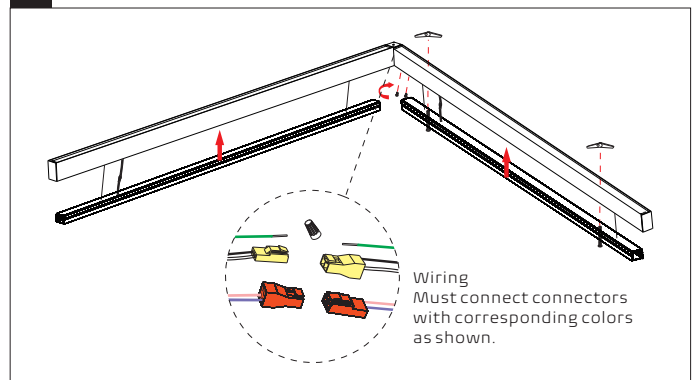


3 Install the housing and joiner – SoR



- 3-1: Fix the housing in the ceiling with butterfly drywall anchor "A"
Remark: Fix the housing with screws "I" if wooden frame ceiling.
Fix the housing with Anchor "G" and Screws "I" if cement drywall.
- 3-2: Insert the joiner "L" into the SoR housing and fix it by screws.

4



- 4-1: Fix the housing in the ceiling in turn.
- 4-2: Insert the joiner "L" into the housing and fix it by screws in turn.
- 4-3: Connect the quick connectors properly.
- 4-4: Insert all the LED modules into the housing from SoR to EoR in turn.

5 Complete

