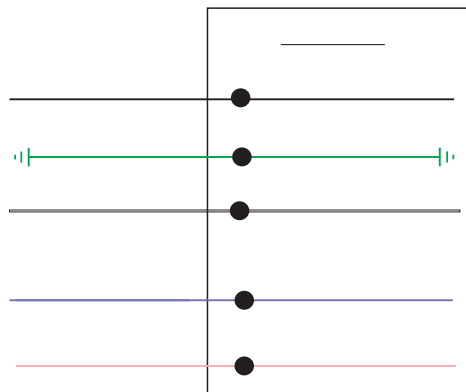
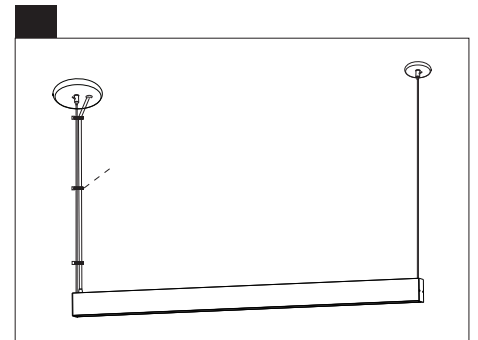
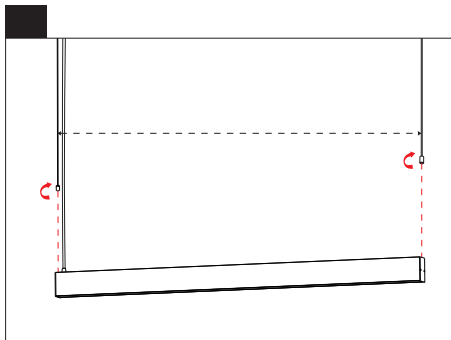
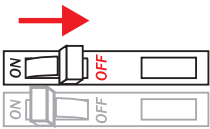
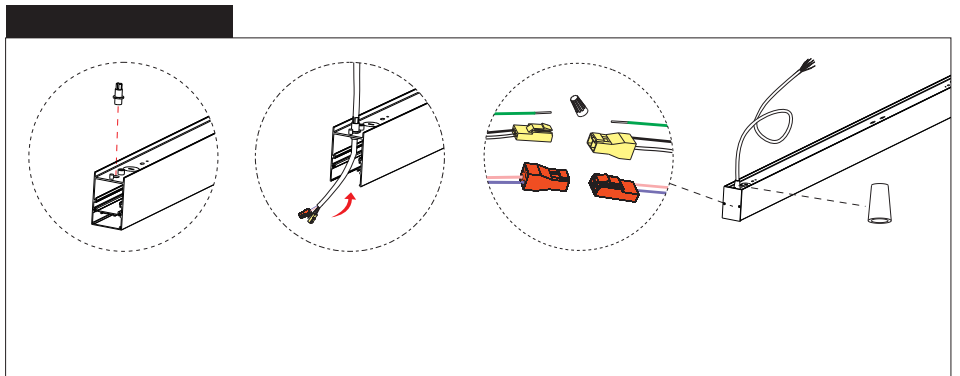
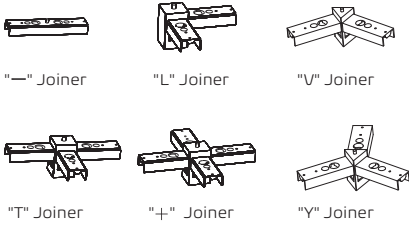


ORE LIGHTING



JOINER OPTIONS



Note: It needs 2 inputs if using joiner "T", "+ " and "Y".

ACCESSORY



Note: Silicone seal is used to seal seams that may appear at both ends of luminaires when multiple connections.

BEFORE CONNECTING

Disassemble Luminaires

Start of run (SoR):
Remove the end cap without power code, and take the LED module out.

Middle of run (MoR):
Remove both end caps, and take the LED module out.

End of run (EoR):
Remove the end cap without power code, and take the LED module out.

LINE CONNECTION

1 Install joiners

SoR | MoR | MoR | EoR

Mounting Points:
2.08' for 2FT fixture
4.17' for 4FT fixture
8.35' for 8FT fixture

Mounting Points:
2.09' for 2FT fixture
4.19' for 4FT fixture
8.37' for 8FT fixture

Mounting Points:
2.08' for 2FT fixture
4.17' for 4FT fixture
8.35' for 8FT fixture

Screw the joiner "—" to the MoR aircraft cable in turn.

2 Hang luminaire and wiring - SoR

▲ Adjust the height of luminaire.
Luminaire can be raised by pulling cable through the gripper and can be lowered by depressing the top cylinder on the gripper which pulls the luminaire down.

2-1: Insert the joiner "—" into luminaire from one side and fix it with screws.
2-2: Screw both bottom parts of aircraft cables clockwise and secure them on the top of housing making sure they hang the lights.

3 Repeat Hang and join steps - MoR to EoR

Cable Tie

Wiring
Must connect connectors with corresponding colors as shown.

- 3-1: Zip tight power cord & aircraft suspension cable with the cable tie.
- 3-2: Connect the quick connectors properly.
- 3-3: Insert all the LED Modules into the housing from SoR to EoR in turn.

4 Complete

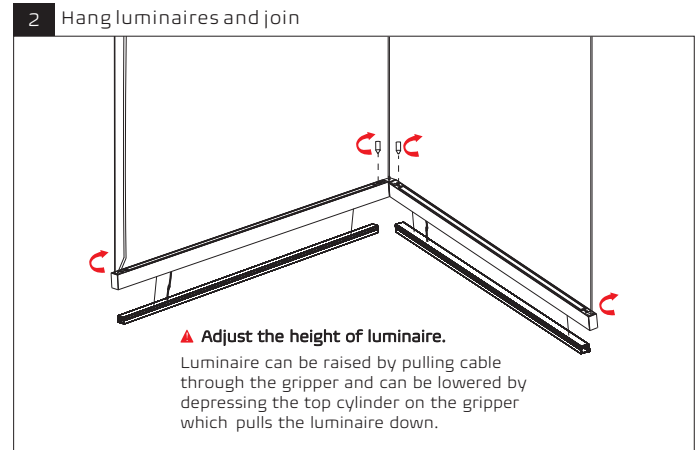
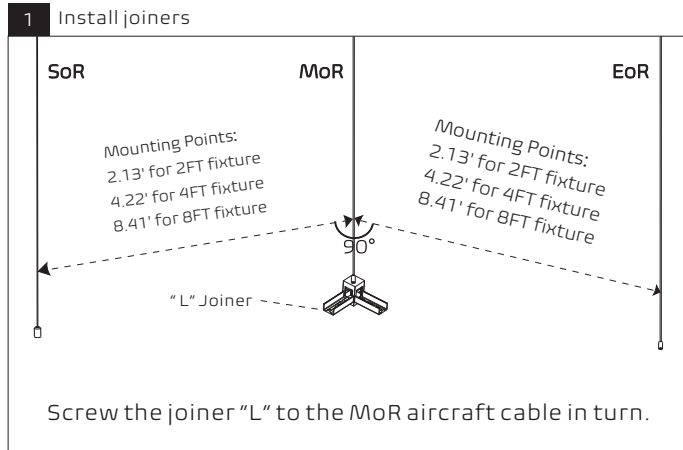
Optional 42' Continuous Roll-out Lens

Diffuser (Optional Accessories)
Optional continuous roll-out lens which can reach seamless continue runs up to 42' is available.

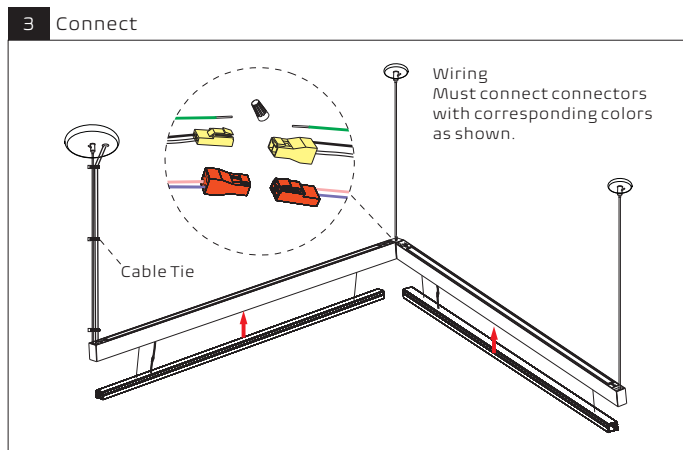
L SHAPE CONNECTION

▲ For "T", "+", "Y" shape or other geometric shapes, all subject to the "L" shape installation.

▲ It needs 2 inputs if using joiner "T", "+ " and "Y".



2-1: Insert the joiner "L" into luminaire from one side and fix it with screws.
2-2: Screw both bottom parts of aircraft cables clockwise and secure then on the top of housing making sure they hang the lights.



3-1: Zip tight power cord & aircraft suspension cable with the cable tie.
3-2: Connect the quick connectors properly.
3-3: Insert all the LED Modules into the housing from SoR to EoR in turn.

